

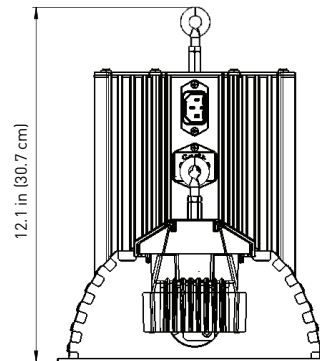
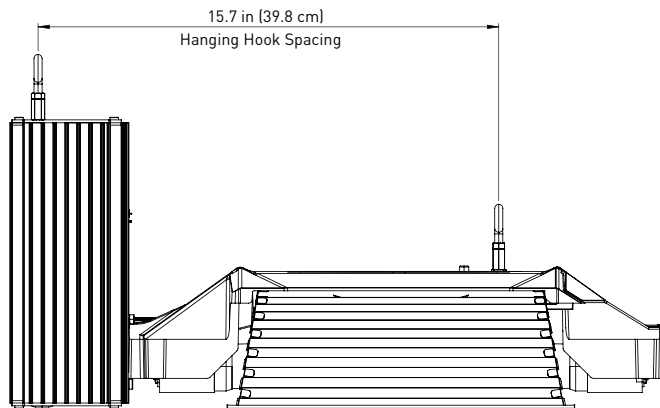
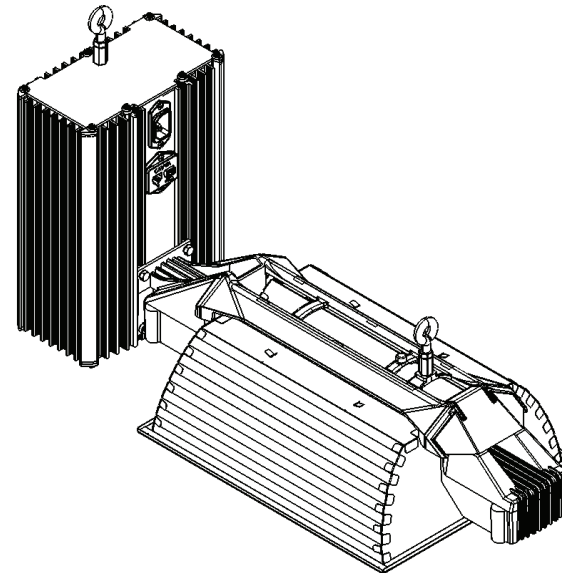
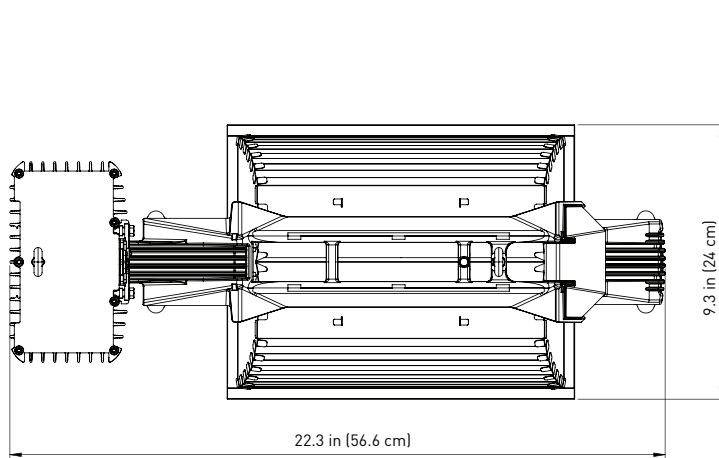
Gavita® Pro CMH 630e 208-240 V

Item #HGC906053

Item #HGC906054



SPECIFICATIONS



INPUT VOLTAGE: 208-240 V	
INPUT WATTS: 660 W	
HEAT LOAD: 2,270 btu/hr*	
CURRENT - 100%	
208V: 3.2 A	
240V: 2.75 A	
INRUSH CURRENT: < 24 A	
FREQUENCY: 50/60 Hz	
POWER FACTOR (cosφ): > 0.99	
Voltage THD	
208 V	0.19%
240 V	0.17%
Current THD	
208 V	5.40%
240 V	6.40%
AMBIENT TEMP: 32-86° F (0-30° C)	
ENVIRONMENTAL RATING: Damp locations	
CONTROL: 0 - 10 V DC source	
MOUNTING: Eye bolts included (Other options available)	
WEIGHT: 11.9 lb	DIM: 22.3 in x 9.3 in x 12.1 in
CERTIFICATIONS	
UL 1598, UL 8800, & CSA C22.2 No. 250.0	
FCC Part 18, Non-consumer	

*Please consult HVAC Expert to calculate total heat load in your grow space

HGC906053 Gavita® Pro CMH 630e 208-240 Volt - Last Updated 06/25/2020



This document is not intended to be used for installation purposes. We cannot cover all specific applications or anticipate all requirements. All specifications are subject to change without notice.

HawthorneGC.com | Canada: HawthorneGC.ca