

Gavita® Pro 1000e 277-347 V

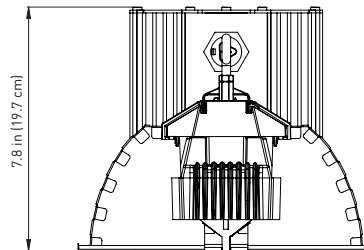
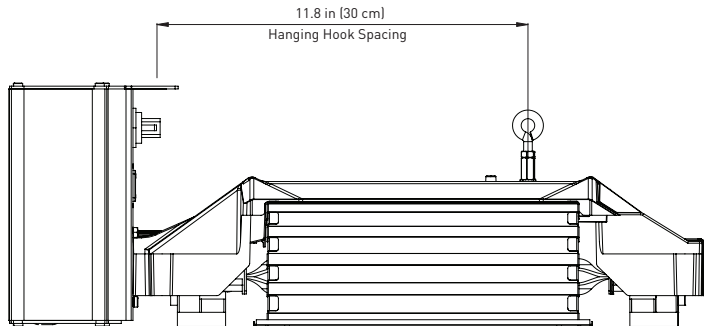
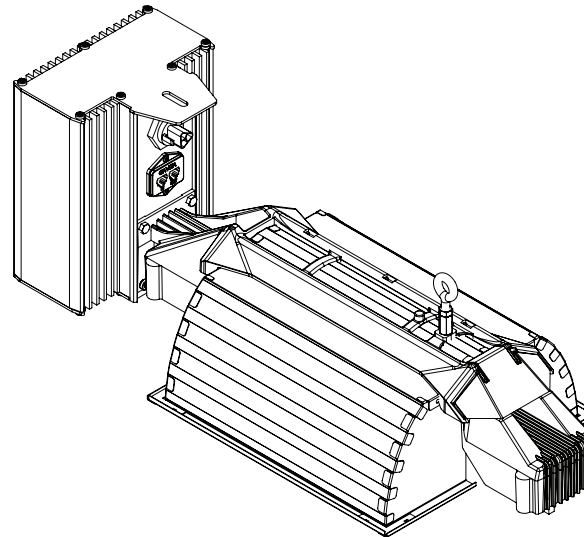
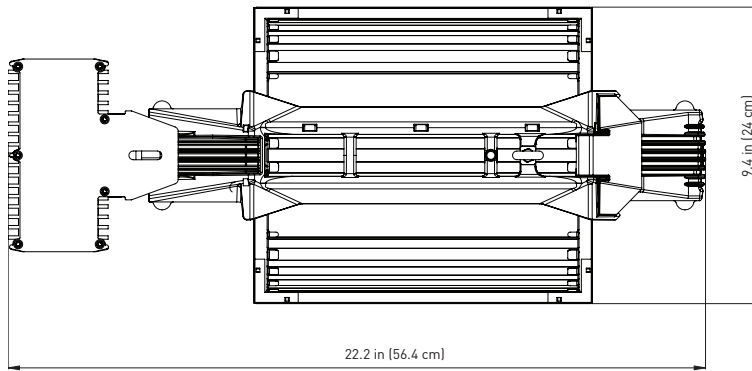
Item #HGC906098

Item #HGC906072

Item #HGC906038



SPECIFICATIONS



INPUT VOLTAGE: 277-347 V	
INPUT WATTS: 525-1200 W	
HEAT LOAD: 3,600 btu/hr*	
CURRENT - 100%	CURRENT - 100%
277V: 3.8 A	277V: 4.4 A
347V: 3.1 A	347V: 3.5 A
INRUSH CURRENT: < 21 A	
FREQUENCY: 50/60 Hz	
POWER FACTOR (cosφ): > 0.99	
Voltage THD	
277 V	1.40%
347 V	1.30%
Current THD	
277 V	3.70%
400 V	4.30%
AMBIENT TEMP: 32-95° F (0-35° C)	
ENVIRONMENTAL RATING: Damp locations	
CONTROL: 0-10 V DC source (11.5V DC @1 15%)	
MOUNTING: Eye bolts included (Other options available)	
WEIGHT: 8.4 lb	DIM: 22.2 in x 9.4 in x 7.8 in
CERTIFICATIONS	
UL 1598, UL 8800, & CSA C22.2 No. 250.0	
FCC Part 18, Non-consumer	

*Please consult HVAC Expert to calculate total heat load in your grow space

HGC906098 Gavita® Pro 1000e 277-347V Spec-Sheet- Last Updated 06/25/2020



This document is not intended to be used for installation purposes. We cannot cover all specific applications or anticipate all requirements. All specifications are subject to change without notice.

HawthorneGC.com | Canada: HawthorneGC.ca