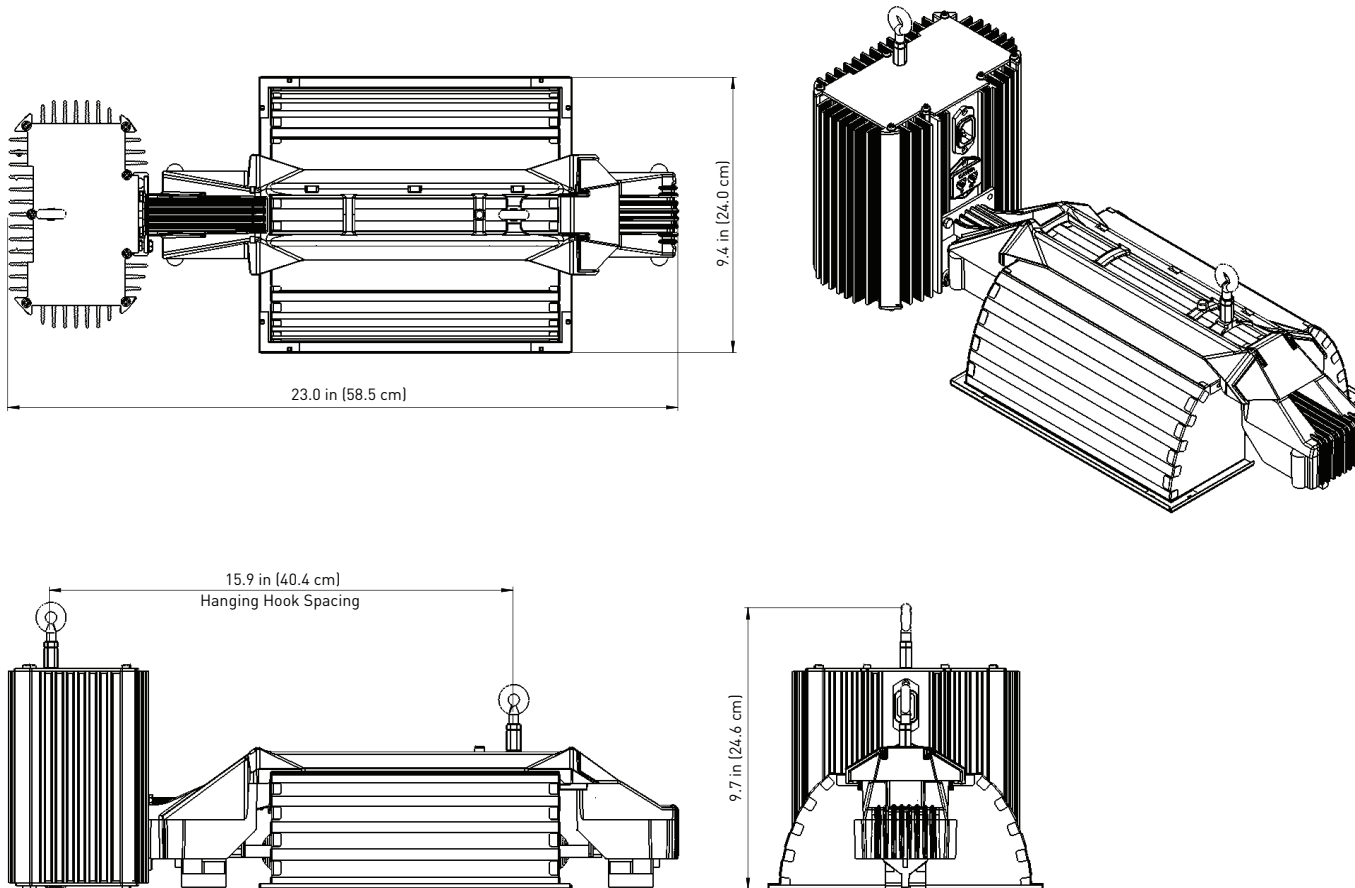


Gavita® Pro 1000e Slim Line 208-240 V

Item #HGC906097



SPECIFICATIONS



INPUT VOLTAGE: 208-240 V	
INPUT WATTS: 525-1200 W	
HEAT LOAD: 3,600 btu/hr*	
CURRENT - 100%	CURRENT - 110%
208V: 5.1 A	208V: 5.8 A
240V: 4.4 A	240V: 5.0 A
INRUSH CURRENT: < 27 A	
FREQUENCY: 50/60 Hz	
POWER FACTOR (cosφ): > 0.98	
Voltage THD	
208 V	0.22%
240 V	0.20%
Current THD	
208 V	8.40%
240 V	10.20%
AMBIENT TEMP: 32-95° F (0-35° C)	
ENVIRONMENTAL RATING: Damp locations	
CONTROL: 0-10 V DC source (11.5 V DC @115%)	
MOUNTING: Eye bolts included (Other options available)	
WEIGHT: 8.4 lb	DIM: 23 in x 9.4 in x 9.7 in
CERTIFICATIONS	
UL 1598, UL 8800, & CSA C22.2 No. 250.0	
FCC Part 18, Non-consumer	

*Please consult HVAC Expert to calculate total heat load in your grow space

HCC906097 Gavita® Pro 1000e Slim Line 208-240V Spec-Sheet- Last Updated 06/25/2020



This document is not intended to be used for installation purposes. We cannot cover all specific applications or anticipate all requirements. All specifications are subject to change without notice.

HawthorneGC.com | Canada: HawthorneGC.ca