

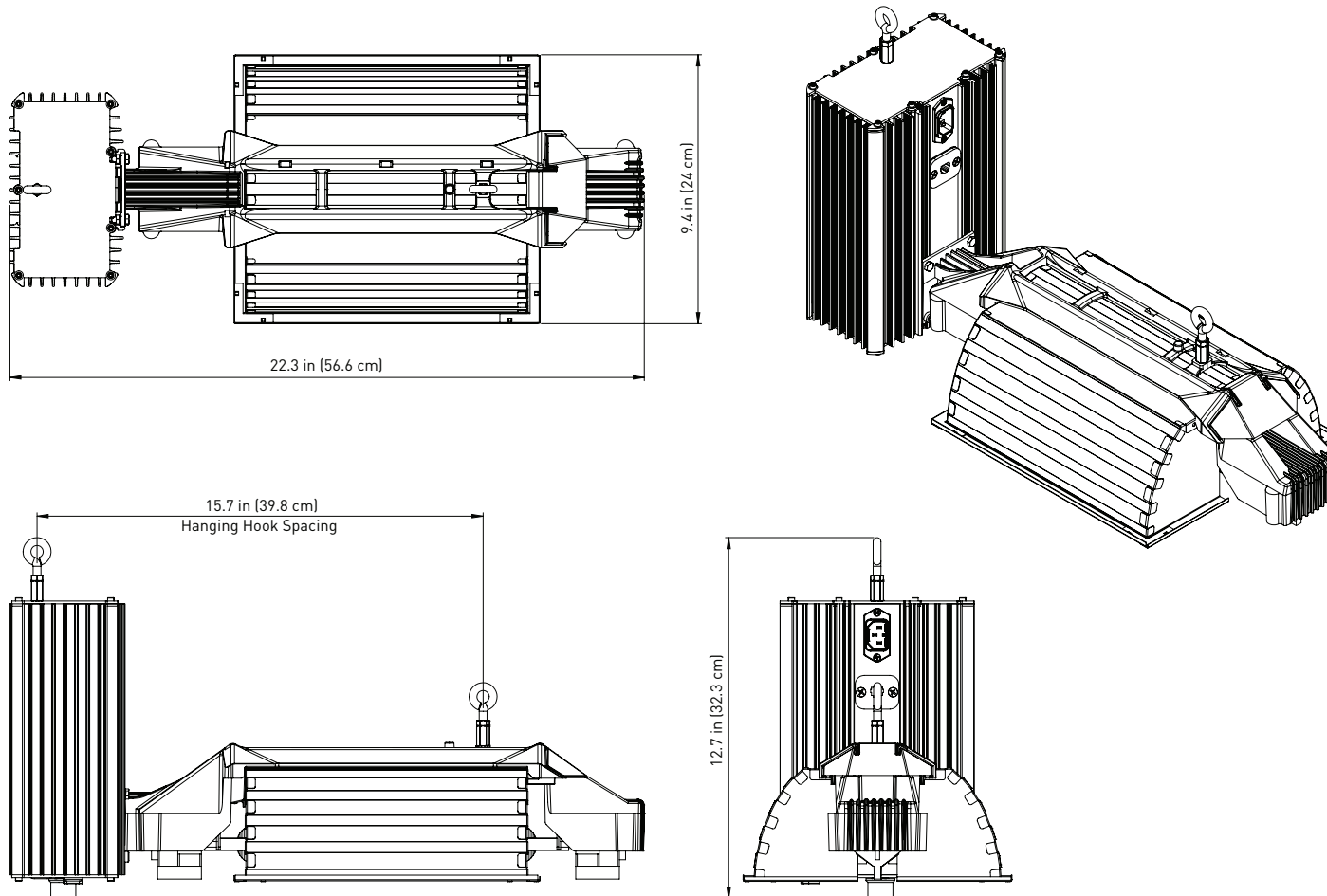
# Gavita® Pro e-Series

## 6/750 DE FLEX 120-240 V

Item #HGC906087



### SPECIFICATIONS



<b>INPUT VOLTAGE:</b> 120-240 V	
<b>INPUT WATTS:</b> 805-880 W	
<b>HEAT LOAD:</b> 2,800 btu/hr*	
<b>CURRENT - 100%</b>	<b>CURRENT - 110%</b>
<b>120V:</b> 6.8 A	<b>120V:</b> 7.5 A
<b>208V:</b> 3.9 A	<b>208V:</b> 4.3 A
<b>240V:</b> 3.4 A	<b>240V:</b> 3.6 A
<b>INRUSH CURRENT:</b> < 22 A	
<b>FREQUENCY:</b> 50/60 Hz	
<b>POWER FACTOR (cosφ):</b> > 0.98	
<b>Voltage THD</b>	
<b>120 V</b>	1.30%
<b>240 V</b>	1.82%
<b>Current THD</b>	
<b>120 V</b>	3.00%
<b>240 V</b>	7.80%
<b>AMBIENT TEMP:</b> 32-95° F (0-35° C)	
<b>ENVIRONMENTAL RATING:</b> Damp locations	
<b>CONTROL:</b> 0-10 V DC source / knob (11 V DC @ 110%)	
<b>MOUNTING:</b> Eye bolts included (Other options available)	
<b>WEIGHT:</b> 6.35 lb	<b>DIM:</b> 22.3 in x 9.4 in x 12.7 in
<b>CERTIFICATIONS</b>	
UL 1598, UL 8800, & CSA C22.2 No. 250.0	
FCC Part 18, Non-consumer	

\*Please consult HVAC Expert to calculate total heat load in your grow space



This document is not intended to be used for installation purposes. We cannot cover all specific applications or anticipate all requirements. All specifications are subject to change without notice.

HawthorneGC.com | Canada: HawthorneGC.ca