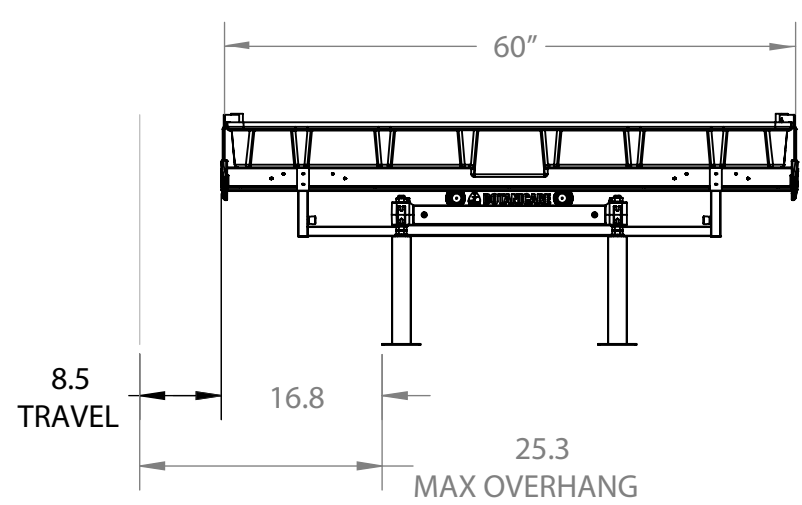
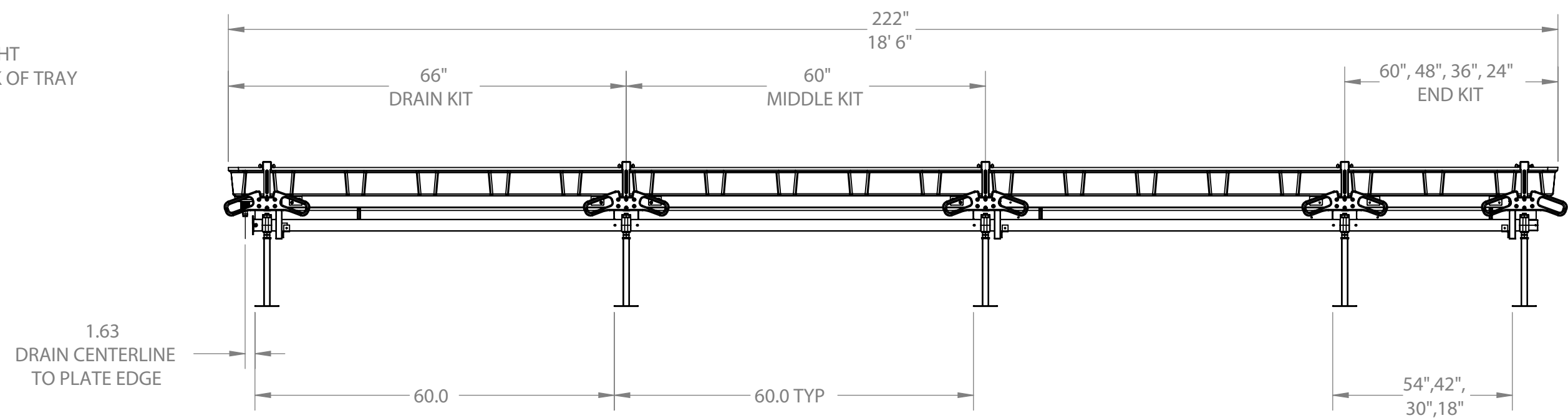
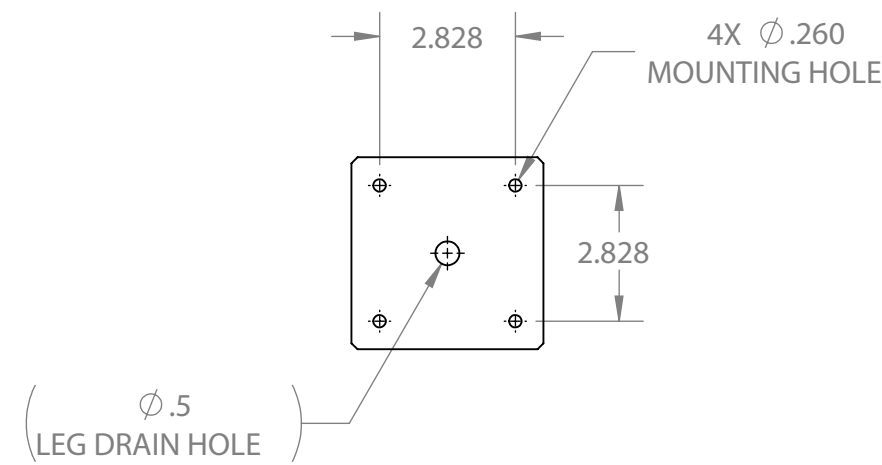


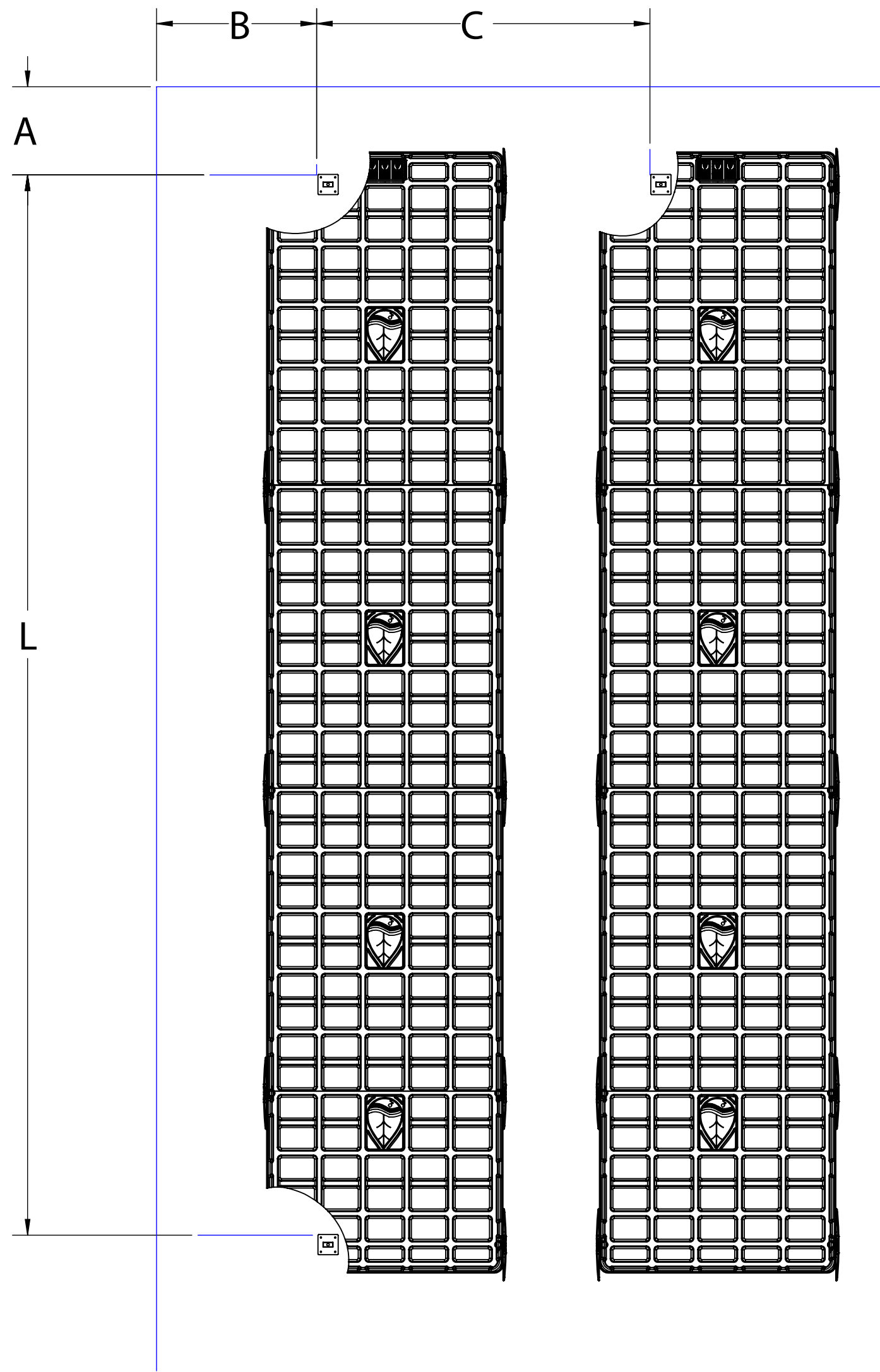
4' WIDE BENCH



5' WIDE BENCH



LEG MOUNTING PLATE DETAILS



Determine layout distances

A. Drain Tray to Wall Spacing

Enter desired spacing here + 5 1/8" = Distance A

B. Left Side Tray to Wall Minimum Spacing
(When bench is slid towards the wall)

Enter desired minimal spacing here + = Distance B
 4' bench add 19 1/4"
 5' bench add 25 1/4"

B. Bench to Bench Spacing
(17" aisle minimum)

Enter desired aisle width here + = Distance C
 4' bench to 4' bench spacing add 31"
 4' bench to 5' bench spacing add 37"
 5' bench to 5' bench spacing add 43"

D. Distance "L" from Arch 1 leg mounting plate to the last arch mounting place. Select from Appendix B based on the nominal bench length.

Distance L

E. Distance A from the back wall, snap a chalk line along the back wall from left to right

F. Distance B from the left wall, snap a chalk line along the left wall from back to front.

G. Distance C from the line created in step F, Snap a parallel chalk line from back to front. Repeat as necessary based on the number of benches to be installed in the room.

NOTE: Arches are nominally 60" from arch to arch. The last arch opposite the drain end, is a short section. The short section can be 54", 42", 30", or 18" apart depending on the overall length of the bench.