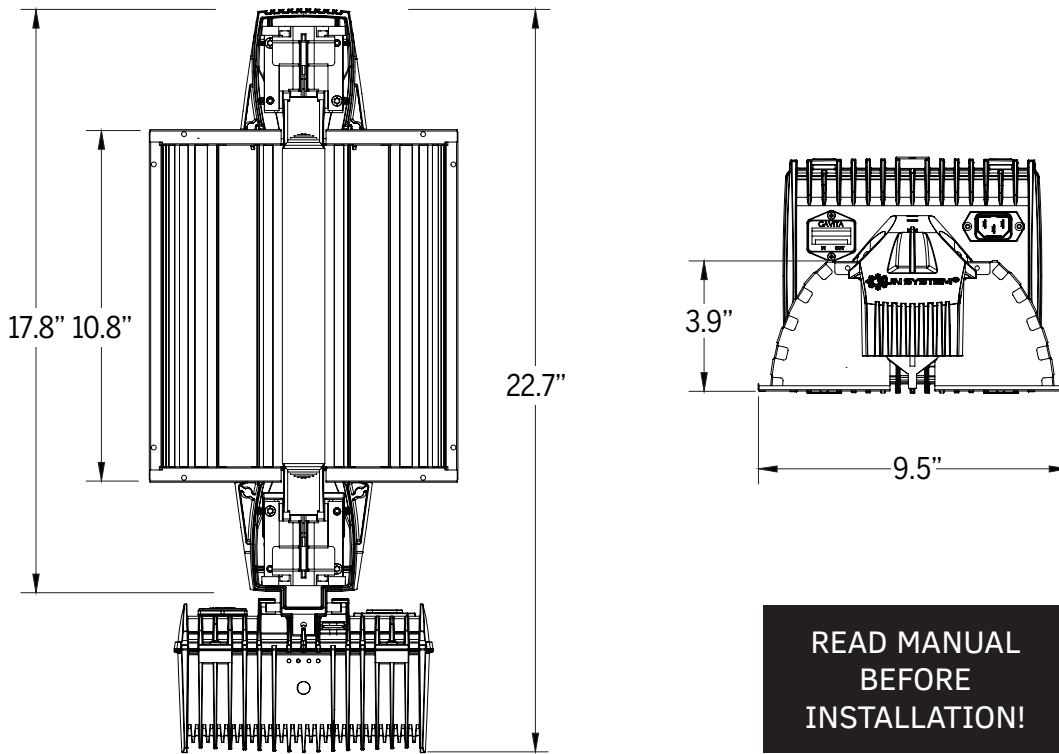
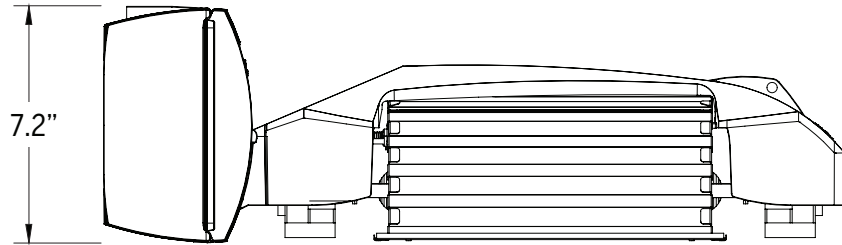




SUN SYSTEM® PRO SUN® 2 1000 W DE

COMMERCIAL
HPS FIXTURE

PRODUCT #HGC906744 **208-240 VOLT**



**READ MANUAL
BEFORE
INSTALLATION!**

TECHNICAL SPECIFICATIONS



CERTIFICATIONS	UL 1598, ANSI/CAN/UL 8800, CSA C22.2 NO. 250.0, FCC PART 18 NON CONSUMER
INPUT VOLTAGE	208-240 VOLT
INPUT POWER	1200 WATT
INPUT CURRENT	6.6-5.3 A
HEAT LOAD	3,600 BTU/HR
INRUSH CURRENT	27 A
FREQUENCY	50/60 Hz
POWER FACTOR	> 0.98
VOLTAGE THD	.22% - .20%
CURRENT THD	8.40% - 10.20%
AMBIENT TEMPERATURE	32-104° F (0-40° C)
ENVIRONMENT RATING	DAMP LOCATIONS
MOUNTING	COMMERCIAL BRACKET SUN GRIP® HANGER
WARRANTY SEE MANUAL	3 YEAR LIMITED WARRANTY
DIMENSIONS	22.2 x 9.7 x 7.8 in (563.9 x 246.4 x 198.1 mm)
FIXTURE WEIGHT	8.4 lbs (3.8 kg)

**Please consult an HVAC expert to calculate total heat load in your grow space.*