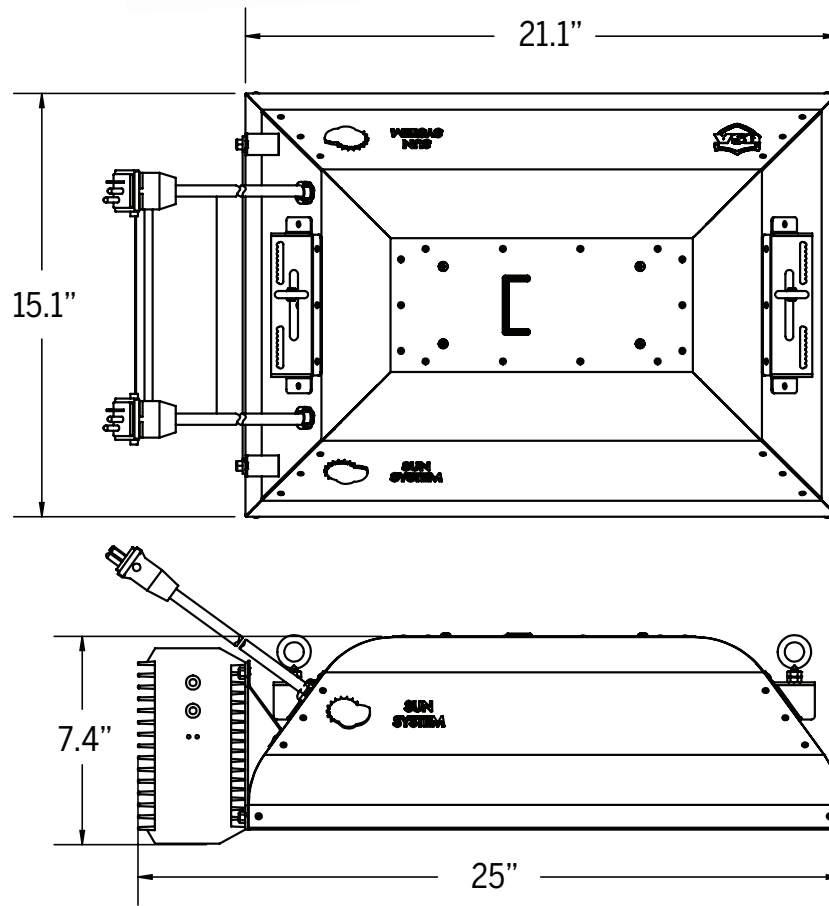




SUN SYSTEM® BOSS COMM® LEC® 630 COMMERCIAL FIXTURE



PRODUCT #906632 & 906638 **347 VOLT**



TECHNICAL SPECIFICATIONS



| | |
|---|---|
| CSA LISTED | TESTED TO UL STANDARD 1598 CSA STANDARD CSA C22.2 NO. 250 |
| CERTIFICATION | FCC CERTIFIED |
| INPUT VOLTAGE | 347 VOLT |
| LAMP COMPATIBILITY **LAMP NOT INCLUDED** | TWO (2) 315 WATT CERAMIC METAL HALIDE |
| LAMP POSITION | HORIZONTAL |
| RATED POWER | 630 WATT |
| AMPS AT 347 VOLT | 2.2 |
| POWER FACTOR (COSØ) | > 0.99 |
| POWER SOURCE | 50/60 Hz |
| LAMP OPERATING FREQUENCY | 160 Hz |
| AMBIENT TEMPERATURE: | 40° C MAXIMUM |
| TOTAL HARMONIC DISTORTION: | < 10% |
| POWER CORD | 8 FT HARDWIRED WITH L24-20P TWIST-LOCK PLUG |
| WARRANTY | 3 YEARS |
| FIXTURE WEIGHT | 12.3 LBS |