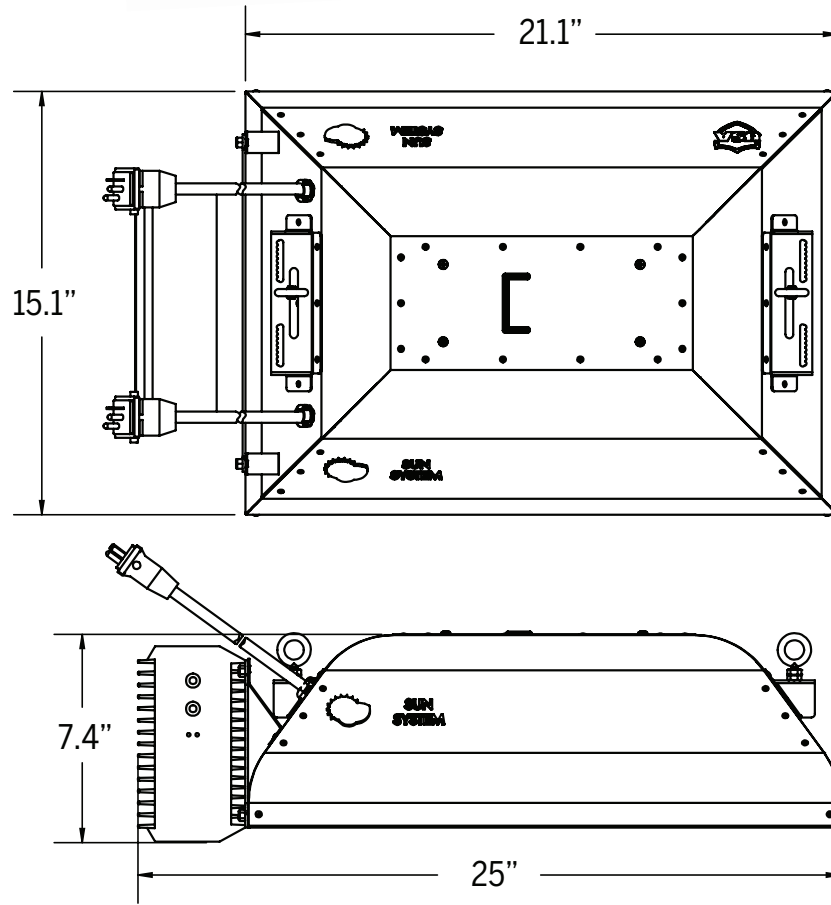




# SUN SYSTEM® BOSS COMM® LEC® 630 COMMERCIAL FIXTURE



PRODUCT #906630 & 906636 **277 VOLT**



## TECHNICAL SPECIFICATIONS



|  |   |
|--|---|
| CSA LISTED   | TESTED TO UL STANDARD 1598<br>CSA STANDARD CSA C22.2<br>NO. 250 |
| CERTIFICATION                                      | FCC CERTIFIED   |
| INPUT VOLTAGE                                      | 277 VOLT  |
| LAMP COMPATIBILITY<br><b>**LAMP NOT INCLUDED**</b> | TWO (2) 315 WATT<br>CERAMIC METAL HALIDE                        |
| LAMP POSITION                                      | HORIZONTAL  |
| RATED POWER  | 630 WATT  |
| AMPS AT 277 VOLT                                   | 2.8   |
| POWER FACTOR (COS $\phi$ )                         | > 0.99  |
| POWER SOURCE                                       | 50/60 Hz  |
| LAMP OPERATING<br>FREQUENCY                        | 160 Hz  |
| AMBIENT<br>TEMPERATURE:                            | 40° C MAXIMUM   |
| TOTAL HARMONIC<br>DISTORTION:                      | < 10%   |
| POWER CORD   | 8 FT HARDWIRED WITH L7-15P<br>TWIST-LOCK PLUG                   |
| WARRANTY   | 3 YEARS   |
| FIXTURE WEIGHT                                     | 12.3 LBS  |