

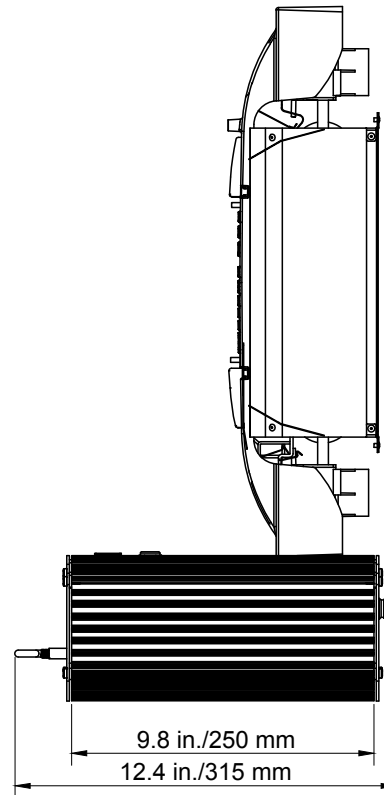
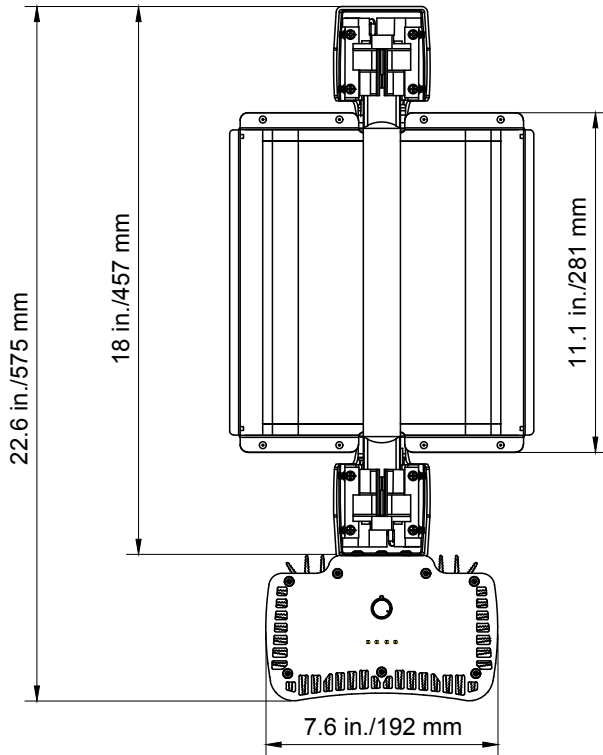
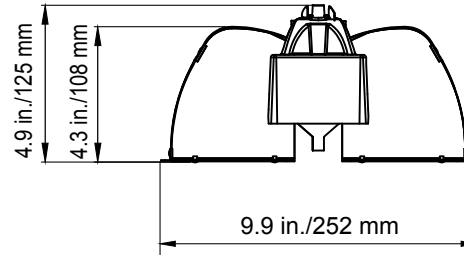
# SPECIFICATIONS

# Sun System® Pro Sun™ DE 1000 Watt – 120-240 Volt

Item #906292



• = yes



•	ETL LISTED
	Tested to UL Standard #1598 Tested to CSA Standard C22.2 No. 250
•	3 YEAR WARRANTY
<b>VOLTAGE</b>	
•	120 V - 240 V
<b>AMPS AT 120V POWER: 10.5 A</b>	
<b>AMPS AT 240V POWER: 5.2 A</b>	
<b>POWER SOURCE: 50/60 Hz</b>	
<b>OUTPUT FREQUENCY: 105 khz</b>	
<b>POWER FACTOR (cosφ): &gt; 0.97</b>	
<b>MAX AMBIENT TEMP: 104° F (40° C)</b>	
<b>TOTAL HARMONIC DISTORTION: &lt; 10%</b>	
<b>POWER CORD</b>	
•	DETACHABLE DUAL FERRITE POWER CORD w/ 120 or 240 VOLT ADAPTOR
<b>LAMP COMPATIBILITY</b>	
•	Double-Ended HPS
<b>Max. Wattage: 1000 W</b>	
<b>LAMP POSITION</b>	
•	HORIZONTAL
	VERTICAL
<b>LAMP SOCKET TYPE</b>	
•	12K x 30 INTEGRATED 5KV DOUBLE-ENDED

Sun System Pro Sun DE1000Watt, 120-240V Spec-Sheet- Last Updated 03/27/19



*This document is not intended to be used for installation purposes. We cannot cover all specific applications or anticipate all requirements. All specifications are subject to change without notice.*