

SUN SYSTEM

LEC[®] 315 RA[™] LIGHT EMITTING CERAMIC[®] REMOTE REFLECTOR Technical Information Guide

IMPORTANT PRODUCT INFORMATION READ IMMEDIATELY

KEEP ORIGINAL PACKAGING – ALL RETURNS NEED TO BE IN THE ORIGINAL PACKAGING IN ORDER TO AVOID PRODUCT DAMAGE DURING SHIPPING. ANY DAMAGE TO PRODUCTS NOT IN THEIR ORIGINAL PACKAGING WILL NOT BE COVERED UNDER WARRANTY.

SAFETY FIRST!

FAILURE TO OBSERVE THE FOLLOWING SAFETY WARNINGS MAY RESULT IN SERIOUS INJURY. IN ADDITION, FAILURE TO OBSERVE THESE SAFETY WARNINGS WILL RESULT IN A WAIVER OF ALL LIABILITIES ON SUNLIGHT SUPPLY[®], INC. AND WILL VOID ALL WARRANTIES.

WARNING:

- Disconnect power before re-lamping.
- When re-lamping, make sure lamp has time to cool before touching.
- Make sure power cord and lamp are connected properly.
- Do NOT hang by power cord or lamp cord.
- Do NOT make contact with the interior of the socket while the power is on.
- Do NOT operate the light systems in wet locations.
- Do NOT plug this system into a supply voltage other than what is instructed on the ballast.
- Do NOT attempt to open, rewire or reconfigure any components of the light system. It will void the warranty and could cause serious injury or death.
- These products operate at very high temperatures. Keep away from children.
- Do not plug or unplug a power cord while the ballast is turned on.
- Read all warnings and instructions that come with your lamp

BULB INSTALLATION:

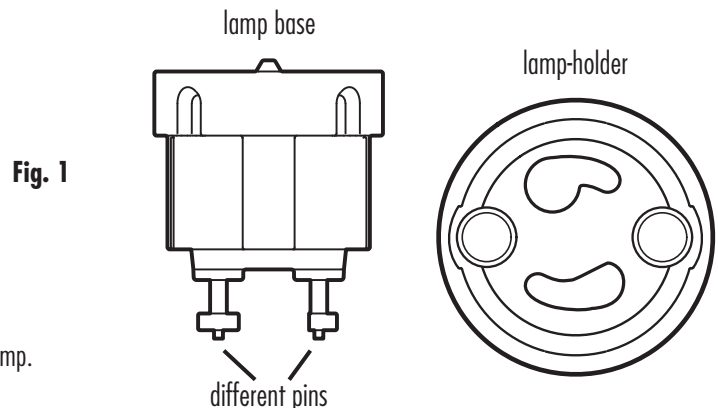
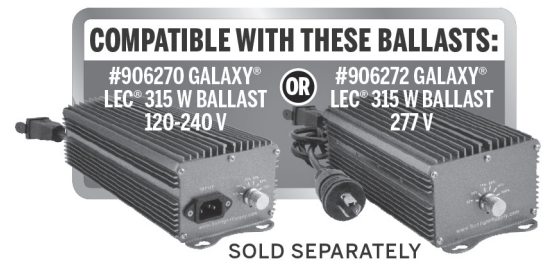
- Use gloves or cloth to avoid handling lamp with bare hands.
- The lamp base has pins with different shapes (**Fig. 1**). Line up the correct pins with the lamp-holder.
- Carefully press down and turn 30 - 45 degrees clockwise until lamp locks in. The lamp-holder will give a snap-in sensation to confirm proper insertion of the lamp.

Proper Bulb Care

Always unplug your ballast and allow your lamp to cool before changing out your lamp. Lamps should be changed out after 20,000 hours to maintain maximum lumen output. Running a lamp beyond its expected life is not recommended and can cause lamp failure as well as a shift in the color spectrum.

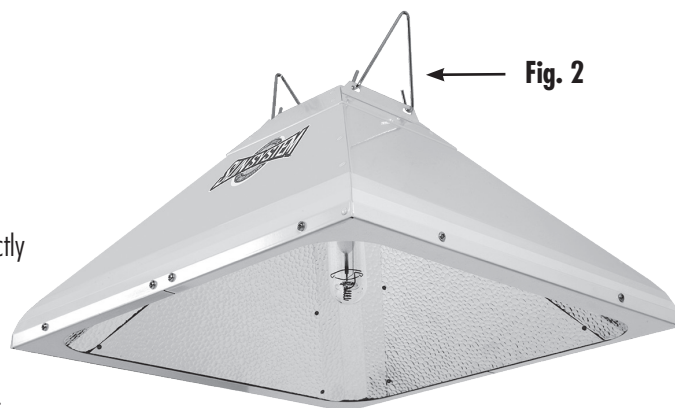
Note - Until the lamp has achieved at least 10 hours of operation, the lamp should never be turned off sooner than 2 minutes.

This Includes during installation tests. In cases when this has happened you need to wait 1 hour before switching the lamp on again.



LEC® 315 REMOTE SYSTEM SETUP:

1. Remove the system from the box along with all additional parts.
2. These systems do not require much setup.
3. Carefully insert the proper lamp into the socket making sure you line up the pins correctly then gently twist until the lamp locks in. *Please refer to lamping installation instructions.*
4. Hang the reflector using 2 included V-hangers (**Fig. 2**).
5. **DO NOT plug in ballast.**
6. Attach the lamp cord from the reflector to the female receptacle coming off the ballast.
7. Plug the unit into the proper NEMA configured receptacle or hardwire unit depending on model voltage.



TROUBLESHOOTING... IF YOUR FIXTURE DOES NOT WORK:

1. CHECK YOUR ELECTRICAL SOURCE: Make sure the unit is plugged in properly and that the breaker is not tripped or fuse blown.
2. CHECK THE LAMP: Make sure the lamp is fully seated (screwed) in the socket.

WARRANTY SERVICE: Please read warranty information first

If after troubleshooting problems the light will still not work, you should return the light to the dealer where you purchased it. They will be able to further evaluate the light and test its various components and quite possibly will be able to identify and/or fix any problems. Often the problem is as simple as a defective lamp. If the dealer is unable to fix the light, they will return it to us for factory repair. Many dealers have loaner fixtures that you may check out until yours is returned (usually not more than 7-10 days).

To locate the dealer nearest you, visit our website at www.sunlightsupply.com and complete the "Dealer Search". If there are no dealers in your area, you may contact us directly for technical support. If we cannot help you resolve the problem over the phone, we will issue you a RMA # (return merchandise authorization) authorizing you to return the system to us for factory reconditioning (if the unit is under warranty). You will need to provide an email address or fax number so that the Authorization Form may be sent to you. You will need to include this Authorization Form in the packaging when returning your Sun System® unit. Also please write the # on the outside of the box.

Please package the light carefully in its original packaging. If it is damaged in shipment we will not be responsible.

Once we receive the light back, we will repair it within 48 hours (business) and return it to you via UPS Ground. If the unit cannot be repaired, a replacement will be sent. If there are no replacements available, a comparable unit will be sent back.

IMPORTANT: PROOF OF PURCHASE REQUIRED FOR RETURNS

SUN SYSTEM® LEC® 315 RA™ REMOTE REFLECTOR = 5 Year Warranty

Returning Units: Please contact your retail store for returns.

WARRANTY INFORMATION:

Sunlight Supply®, Inc. warrants to the original purchaser of this product against defects in material and workmanship under normal use for 5 years on Sun System® LEC® 315 RA™ Remote Reflector. During the warranty period, Sunlight Supply®, Inc. will, at our option, and without charge, repair or replace this product if the unit or any of its components fail or malfunction.

This warranty is expressly in lieu of all other warranties, expressed or implied, including the warranties of merchantability and fitness for use and of all other obligations or liabilities on the part of the seller. This warranty shall not apply to this product or any part thereof which has been damaged by accident, abuse, misuse, modification, negligence, alteration or misapplication. Sunlight Supply®, Inc. makes no warranty whatsoever in respect to accessories or parts not supplied by Sunlight Supply®, Inc. This warranty shall apply only to the United States, including Alaska, Hawaii and territories of the United States.

NOTE: Sunlight Supply®, Inc. is a manufacturer of supplementary lighting systems. All sales offerings to the public are done through a nationwide group of dealers. No sales offerings will be made directly to the general public.



Sunlight Supply, Inc.

SunlightSupply.com

