



US00D726116S

(12) **United States Design Patent**
Corona et al.

(10) **Patent No.:** **US D726,116 S**

(45) **Date of Patent:** **** Apr. 7, 2015**

- (54) **ELECTRICAL PLUG HOUSING**
- (71) Applicant: **IP Holdings, LLC**, Vancouver, WA (US)
- (72) Inventors: **Sergio Corona**, Upland, CA (US);
Michael Sinclair, Vancouver, WA (US)
- (73) Assignee: **IP Holdings, LLC**, Vancouver, WA (US)
- (**) Term: **14 Years**

6,379,169	B1 *	4/2002	Corona	439/271
6,383,003	B1 *	5/2002	Corona	439/278
D544,840	S	6/2007	Hargreaves et al.	
D545,764	S	7/2007	Allison	
D570,295	S	6/2008	Hargreaves et al.	
7,390,210	B2	6/2008	Corona	
7,431,602	B2	10/2008	Corona	
7,785,123	B2	8/2010	Corona	
7,791,864	B2	9/2010	Matyas et al.	
D678,200	S *	3/2013	Corona	D13/133

* cited by examiner

- (21) Appl. No.: **29/446,133**
- (22) Filed: **Feb. 20, 2013**

Primary Examiner — Daniel Bui
(74) *Attorney, Agent, or Firm* — J. Douglas Wells

- (51) **LOC (10) Cl.** **13-03**
- (52) **U.S. Cl.**
USPC **D13/146**
- (58) **Field of Classification Search**
USPC D13/146, 147, 154, 184, 199; 439/92,
439/101, 106, 108, 151, 152, 246, 247, 266,
439/278, 374, 476.1, 527, 606, 655, 660,
439/682, 685, 892
See application file for complete search history.

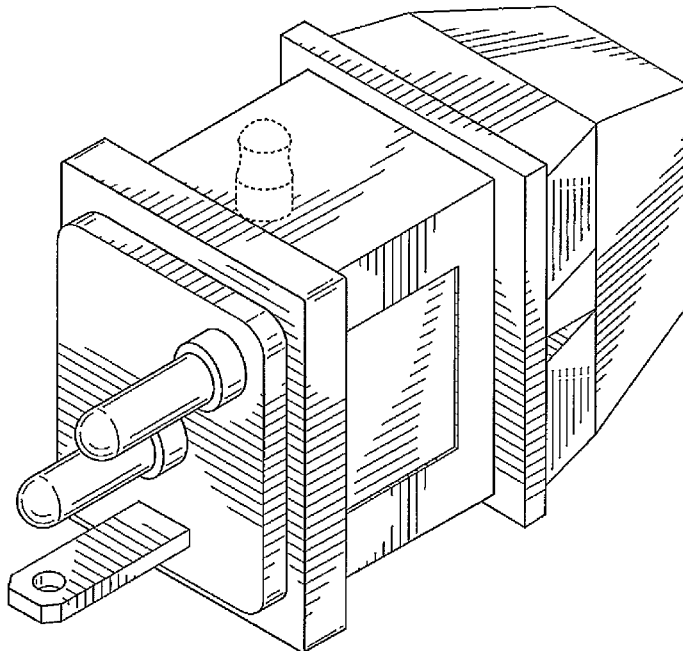
(57) **CLAIM**
The design for an ornamental for an electrical plug housing,
as shown and described.

DESCRIPTION

FIG. 1 is a front, top and right side perspective view of an electrical plug housing showing our new design; FIG. 2 is a right side elevation view thereof; FIG. 3 is a left side elevation view thereof; FIG. 4 is a top plan view thereof; FIG. 5 is a bottom plan view thereof; FIG. 6 is a back elevation view thereof; and, FIG. 7 is a front elevation view thereof. The broken line in the drawing view represent unclaimed environment and forms no parts of the claimed design.

- (56) **References Cited**
U.S. PATENT DOCUMENTS
D286,397 S * 10/1986 Challans D13/133
D437,828 S 2/2001 Corona
D439,221 S 3/2001 Corona
D445,763 S 7/2001 Corona
D446,186 S * 8/2001 Corona D13/133

1 Claim, 7 Drawing Sheets



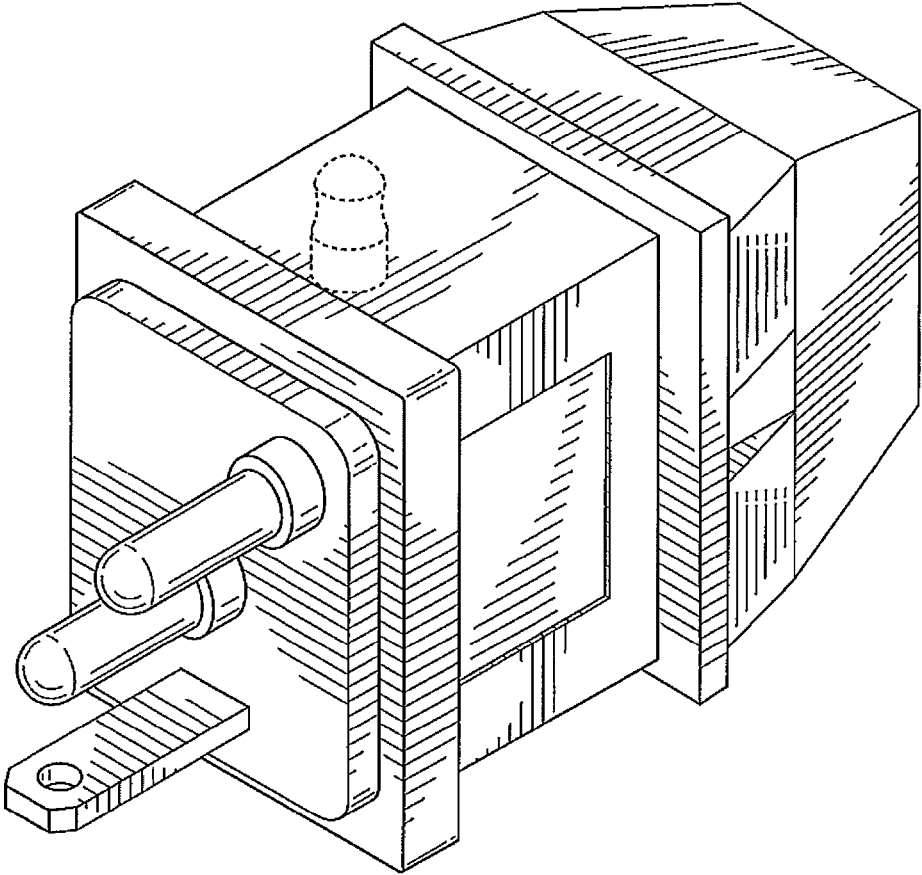


FIG. 1

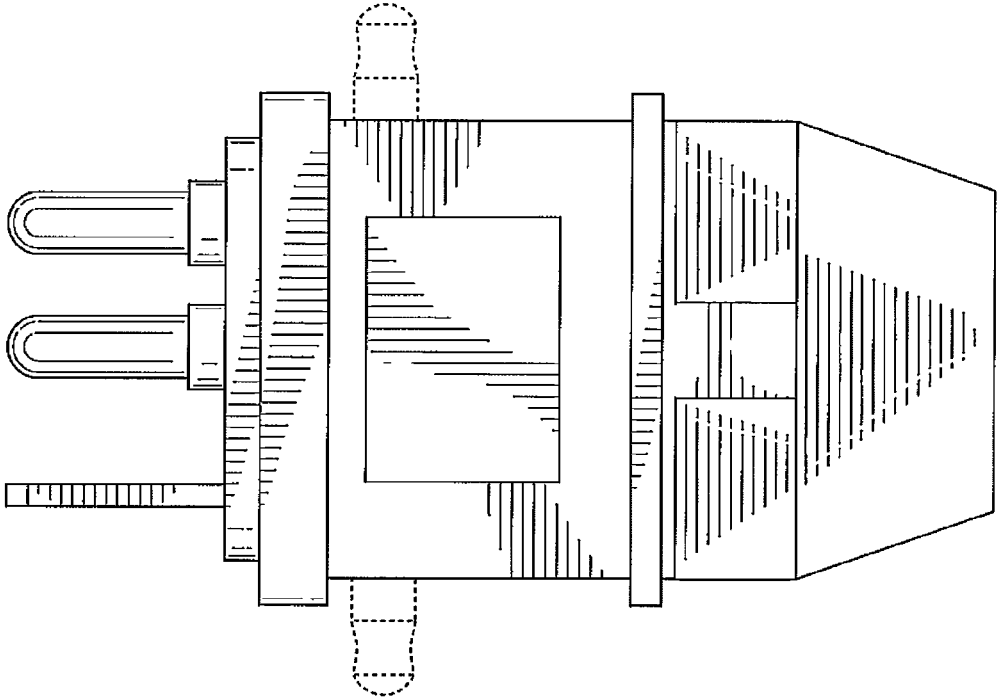


FIG. 2

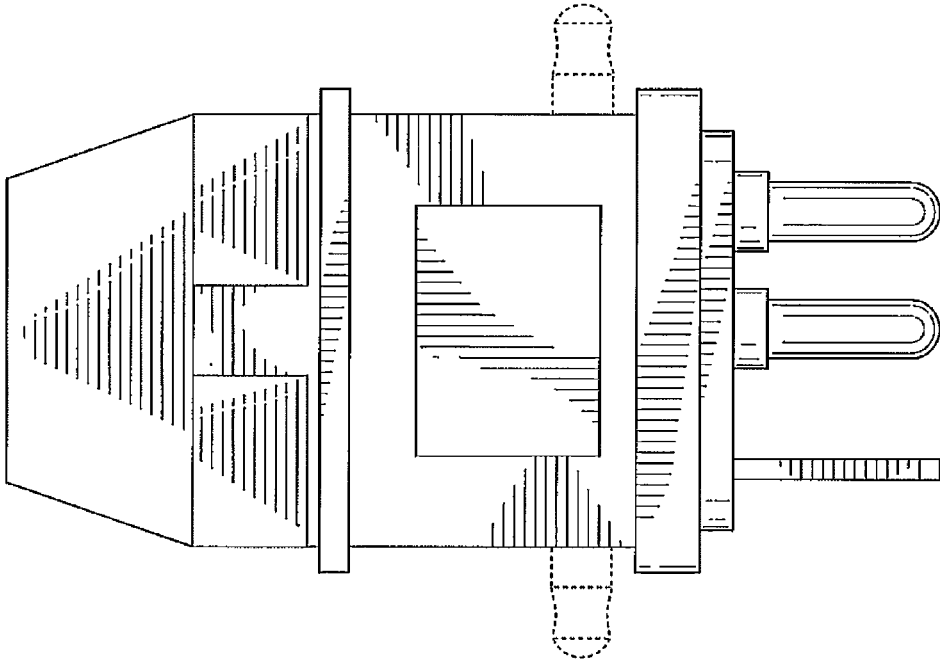


FIG. 3

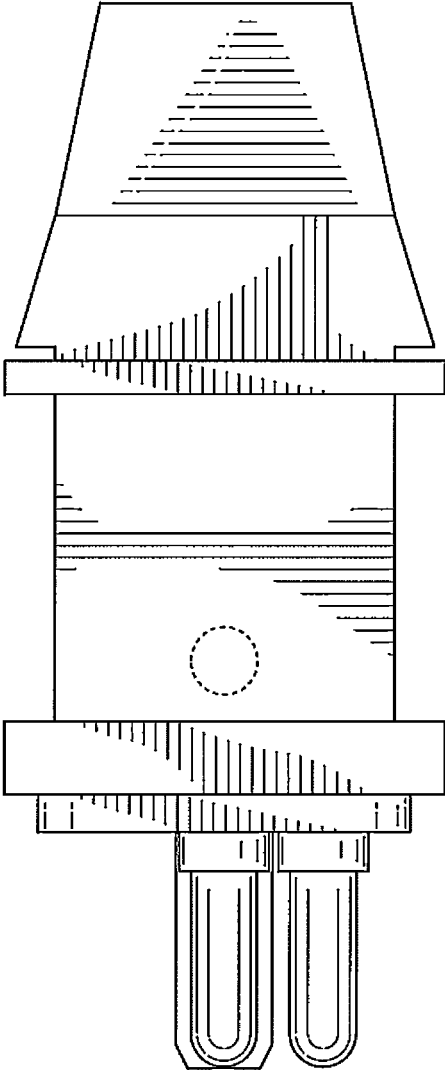


FIG. 4

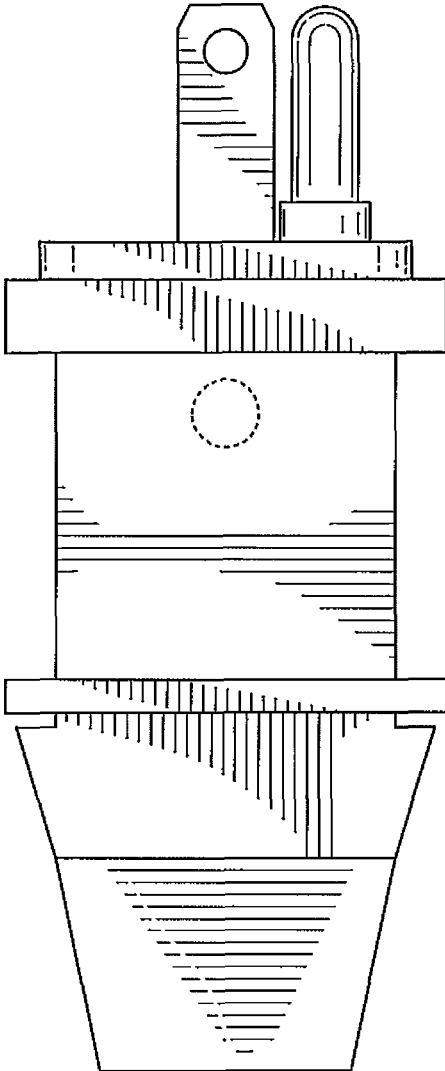


FIG. 5

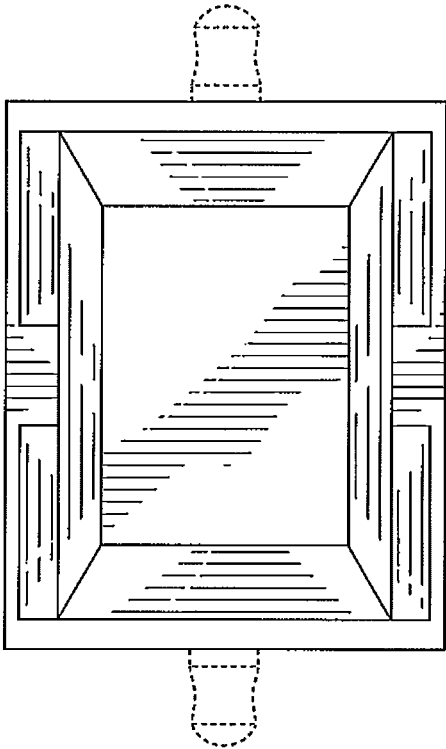


FIG. 6

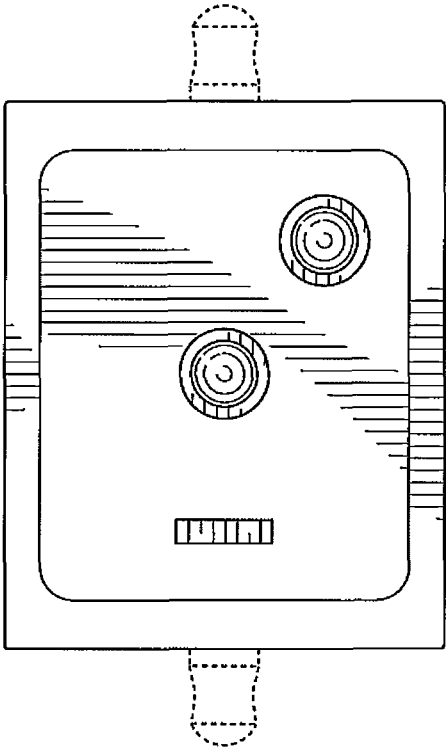


FIG. 7