



(12) **United States Design Patent**
Stanley

(10) **Patent No.:** **US D698,987 S**
(45) **Date of Patent:** **** Feb. 4, 2014**

- (54) **HORTICULTURE GROW LIGHT HOUSING**
- (71) Applicant: **IP Holdings, LLC**, Vancouver, WA (US)
- (72) Inventor: **John Stanley**, Vancouver, WA (US)
- (73) Assignee: **IP Holdings, LLC**, Vancouver, WA (US)
- (**) Term: **14 Years**
- (21) Appl. No.: **29/458,595**
- (22) Filed: **Jun. 20, 2013**
- (51) **LOC (10) Cl.** **26-99**
- (52) **U.S. Cl.**
USPC **D26/118**
- (58) **Field of Classification Search**
USPC D26/152, 113, 118, 119, 154, 61, 62,
D26/65, 75, 16, 1, 2, 3, 120, 138, 128, 155,
D26/76, 121, 124, 125, 123, 141, 142, 66,
D26/68, 86, 71, 72, 77, 78, 151, 145, 74, 85,
D26/89, 82, 84, 92, 87, 136, 63, 59, 58, 28,
D26/88, 11, 9, 22, 81, 127, 129, 130, 131,
D26/133, 134, 135, 55; D13/179, 180;
362/219, 223, 225, 347, 346, 373, 326,
362/283, 249.02, 362, 374, 375, 408, 327,
362/328, 404, 297, 147, 149, 249.03,
362/249.11; D23/377, 411, 413; D11/89,
D11/90
See application file for complete search history.

6,152,579	A	*	11/2000	Reed et al.	362/320
D456,938	S	*	5/2002	Wardenburg	D26/118
D459,825	S	*	7/2002	Field	D26/80
D469,564	S	*	1/2003	Brok	D26/118
6,527,422	B1	*	3/2003	Hutchison	362/373
6,595,662	B2	*	7/2003	Wardenburg	362/362
D542,460	S	*	5/2007	Hargreaves	D26/118
D543,652	S	*	5/2007	Hargreaves	D26/118
D543,654	S	*	5/2007	Hargreaves	D26/76
D544,139	S	*	6/2007	Hargreaves	D26/118
D544,626	S	*	6/2007	Hargreaves	D26/76
D544,983	S	*	6/2007	Hargreaves	D26/76
D544,984	S	*	6/2007	Hargreaves	D26/76
D544,985	S	*	6/2007	Hargreaves	D26/78
D544,987	S	*	6/2007	Hargreaves	D26/88
D544,994	S	*	6/2007	Hargreaves	D26/118
D544,995	S	*	6/2007	Hargreaves	D26/118
D545,484	S	*	6/2007	Hargreaves	D26/118
D545,994	S	*	7/2007	Hargreaves	D26/118

(Continued)

Primary Examiner — Kevin Rudzinski
(74) *Attorney, Agent, or Firm* — Robert J. Ireland; J. Douglas Wells

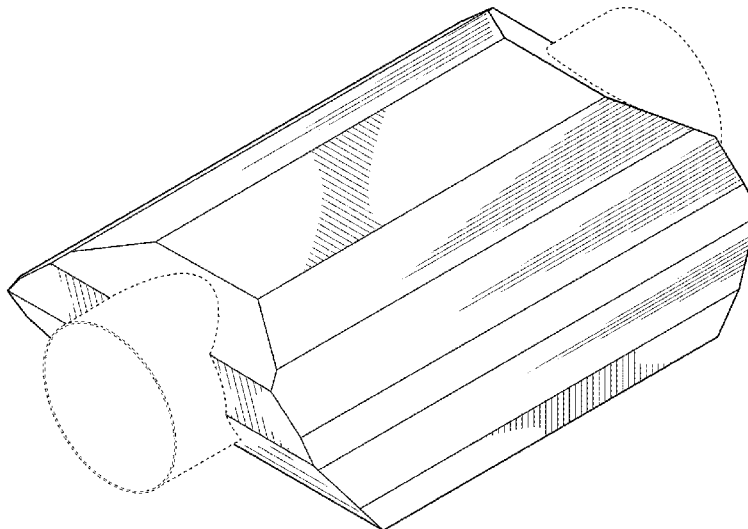
(57) **CLAIM**
The ornamental design for a horticulture grow light housing, as shown and described.

DESCRIPTION

FIG. 1 is a perspective front right view of a horticulture grow light housing;
FIG. 2 is a front view;
FIG. 3 is a back view;
FIG. 4 is a right side view;
FIG. 5 is a left side view;
FIG. 6 is a top view; and,
FIG. 7 is a bottom view.
The broken lines illustrating portions of the horticulture grow light housing form no part of the claimed design.

1 Claim, 5 Drawing Sheets

- (56) **References Cited**
U.S. PATENT DOCUMENTS
D123,768 S * 12/1940 Scribner D26/78
3,272,978 A * 9/1966 Jackson 362/408
4,531,180 A * 7/1985 Hernandez 362/297
4,933,821 A * 6/1990 Anderson 362/223
D311,597 S * 10/1990 Poot D26/118



(56)

References Cited

U.S. PATENT DOCUMENTS

7,524,090	B2 *	4/2009	Hargreaves	362/294	D637,752	S *	5/2011	Mekhtarian	D26/72
D603,087	S *	10/2009	Mo et al.	D26/119	7,972,044	B2 *	7/2011	Burkhauser	362/373
7,641,367	B2 *	1/2010	Hargreaves et al.	362/375	8,209,912	B2 *	7/2012	Hargreaves et al.	52/28
D614,801	S *	4/2010	Collins et al.	D26/118	D675,369	S *	1/2013	Michaud	D26/118
D634,060	S	3/2011	Wardenburg			D678,599	S *	3/2013	Boyer et al.	D26/128
D634,468	S	3/2011	Hargreaves			D683,064	S *	5/2013	Tuck	D26/118
D634,469	S	3/2011	Hargreaves			2008/0205030	A1 *	8/2008	Hargreaves	362/1
						2008/0205071	A1 *	8/2008	Townsley	362/373
						2008/0278950	A1 *	11/2008	Pickard et al.	362/294
						2009/0262540	A1 *	10/2009	Hargreaves et al.	362/362

* cited by examiner

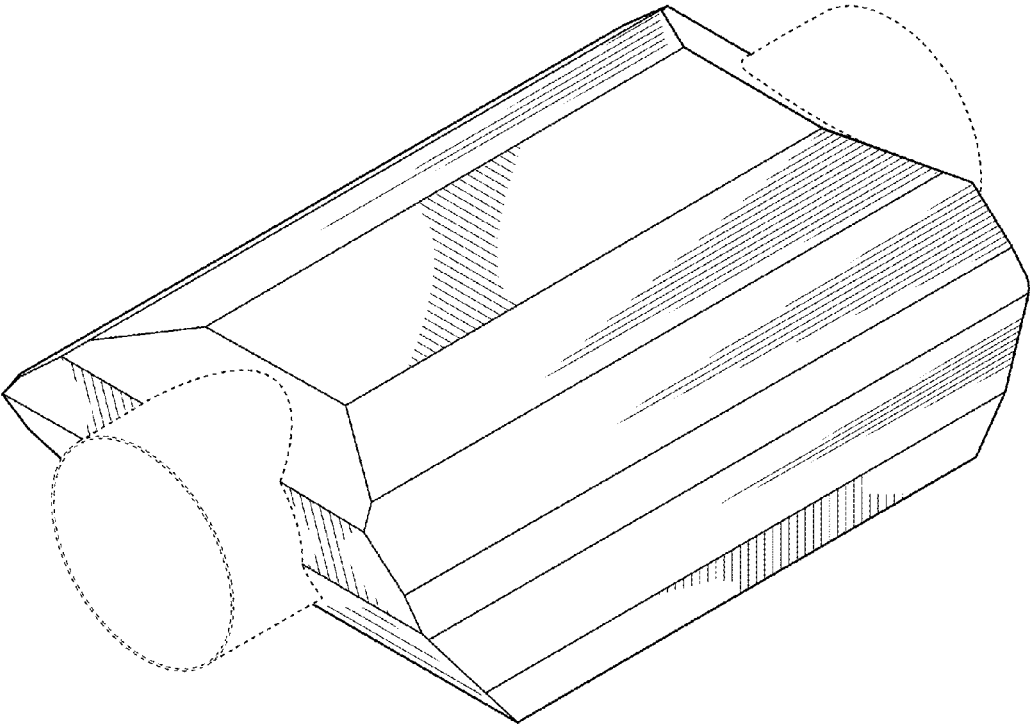


FIG. 1

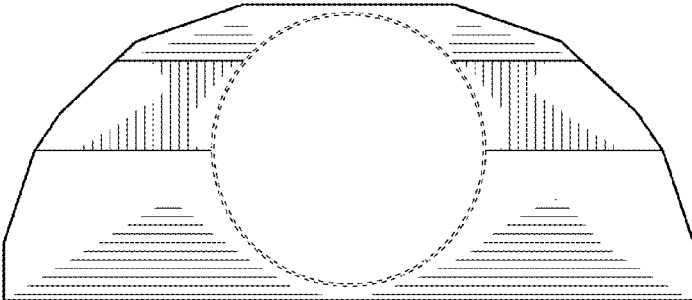


FIG. 2

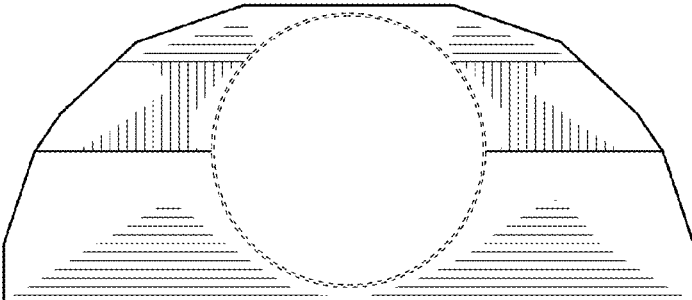


FIG. 3

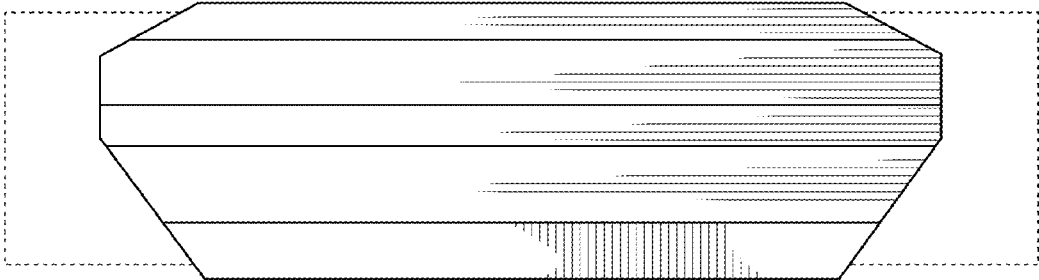


FIG. 4

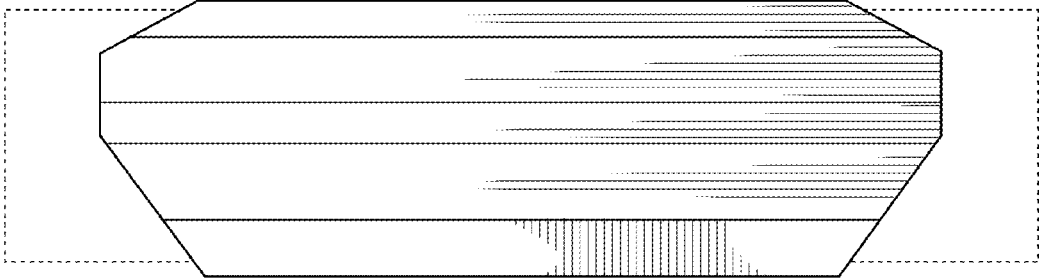


FIG. 5

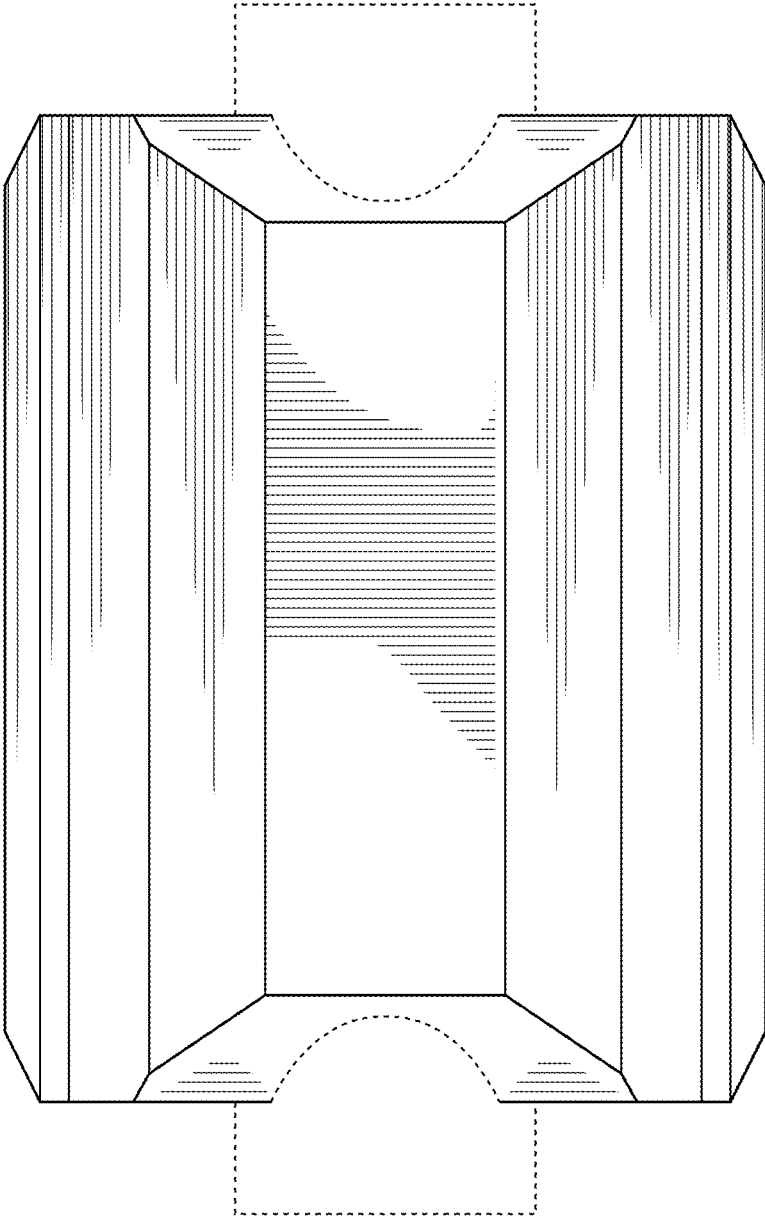


FIG. 6

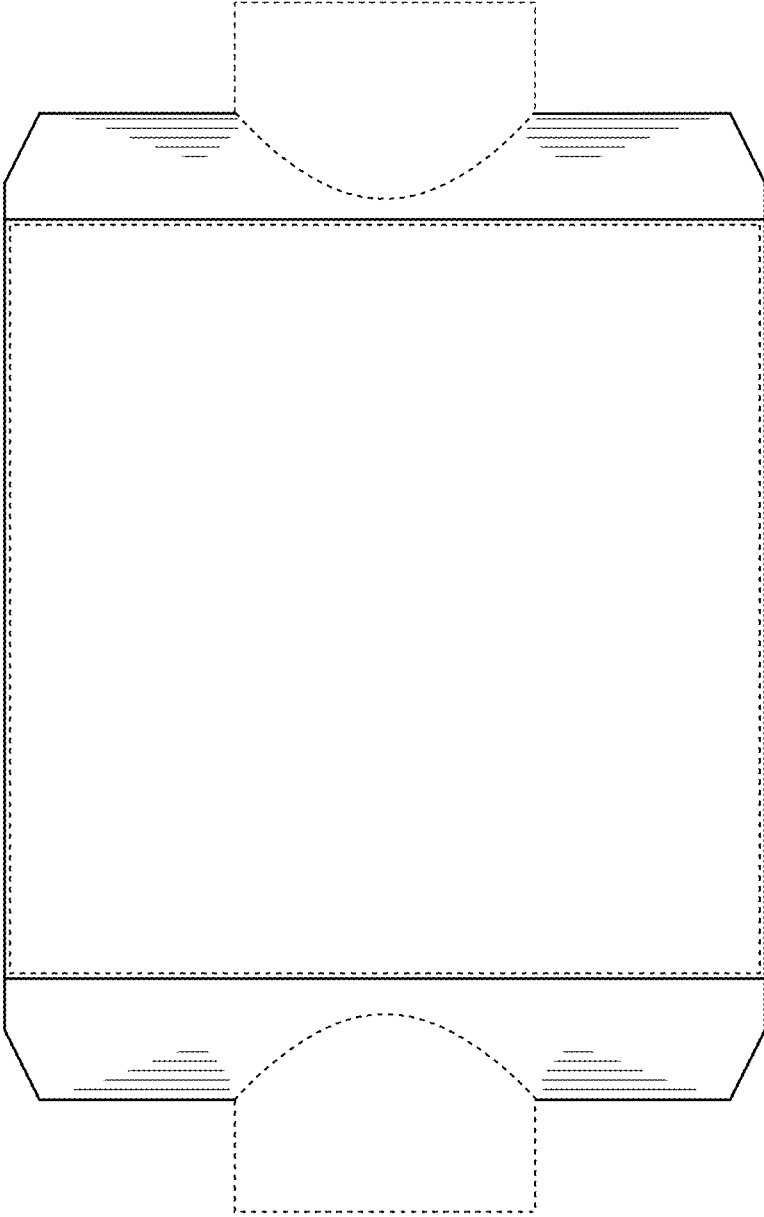


FIG. 7