



US00D698628S

(12) **United States Design Patent**  
**Stanley**

(10) **Patent No.:** **US D698,628 S**

(45) **Date of Patent:** **\*\* Feb. 4, 2014**

- (54) **HINGE HOOK**
- (71) Applicant: **IP Holdings, LLC**, Vancouver, WA (US)
- (72) Inventor: **John Stanley**, Vancouver, WA (US)
- (73) Assignee: **IP Holdings, LLC**, Vancouver, WA (US)
- (\*\*) Term: **14 Years**
- (21) Appl. No.: **29/434,634**
- (22) Filed: **Oct. 15, 2012**
- (51) **LOC (10) Cl.** ..... **08-05**
- (52) **U.S. Cl.**  
USPC ..... **D8/367**
- (58) **Field of Classification Search**  
USPC ..... D7/367, 323, 353, 373, 381; D26/138,  
D26/24; 362/368, 374, 355, 18, 220, 362;  
52/39, 28; D8/367, 354, 349, 373;  
D6/323; 248/301-304, 339  
See application file for complete search history.

D474,958 S *	5/2003	Perdue .....	D8/349
6,595,662 B2	7/2003	Wardenburg .....	
D481,303 S *	10/2003	Fell et al. ....	D8/395
6,659,623 B2 *	12/2003	Friend .....	362/249.06
D485,484 S *	1/2004	McCoy et al. ....	D8/343
D486,727 S *	2/2004	Smith et al. ....	D8/375
D523,736 S *	6/2006	Lu .....	D8/373
D548,051 S *	8/2007	Ruppert et al. ....	D8/354
D593,248 S *	5/2009	Quintin .....	D26/138
7,641,367 B2	1/2010	Hargreaves et al. ....	
D610,434 S *	2/2010	Watts et al. ....	D8/349
D619,879 S *	7/2010	McCarthy et al. ....	D8/354
D631,734 S *	2/2011	Fernandez et al. ....	D8/380
D645,865 S *	9/2011	Diehl .....	D14/432
D656,452 S *	3/2012	Calvert .....	D12/223
D662,653 S *	6/2012	Hochman .....	D26/138
8,209,912 B2	7/2012	Hargreaves et al. ....	
8,234,826 B1 *	8/2012	Proffitt, Jr. ....	52/293.3
D667,718 S *	9/2012	Preda .....	D8/354
D668,379 S *	10/2012	Storey .....	D26/138
D679,176 S *	4/2013	Tedesco et al. ....	D8/394
D690,188 S *	9/2013	Pontus .....	D8/349
2009/0173036 A1 *	7/2009	Hand .....	52/715

\* cited by examiner

*Primary Examiner* — Cynthia Underwood

(74) *Attorney, Agent, or Firm* — Robert J. Ireland; J. Douglas Wells

(56) **References Cited**

U.S. PATENT DOCUMENTS

2,701,840 A	2/1955	Carlson	
2,791,681 A	5/1957	Evans et al.	
3,019,333 A	1/1962	Pascucci	
3,983,387 A	9/1976	Van Steenhoven et al.	
4,155,111 A	5/1979	Kelly et al.	
4,504,888 A	3/1985	Rosenthal	
4,713,916 A	12/1987	Brooks, Jr.	
4,825,621 A *	5/1989	Jensen .....	52/702
D324,990 S *	3/1992	Gary .....	D8/354
D354,677 S *	1/1995	Troyer .....	D8/396
D374,739 S *	10/1996	Blanton .....	D26/138
6,059,424 A	5/2000	Kotloff	
D437,282 S *	2/2001	Joll .....	D12/223
6,247,830 B1	6/2001	Winnett	
6,267,483 B1	7/2001	Hembry	
6,276,818 B1	8/2001	Wang	

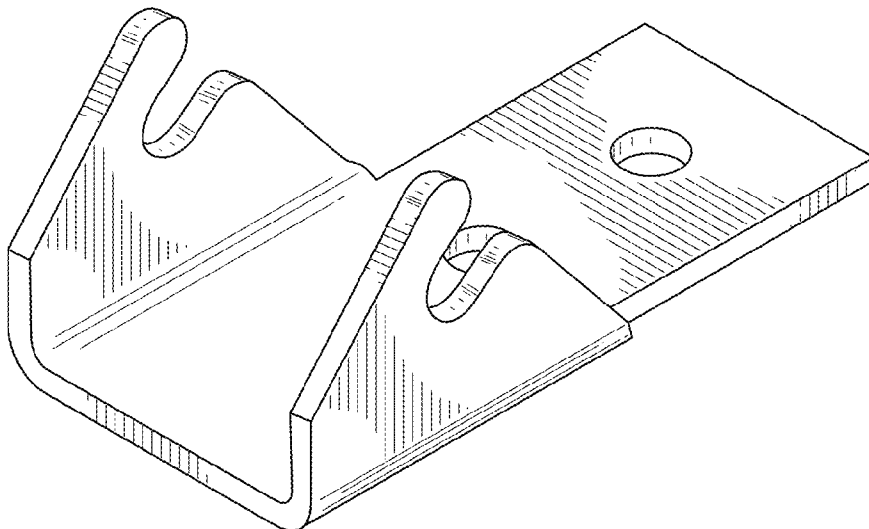
(57) **CLAIM**

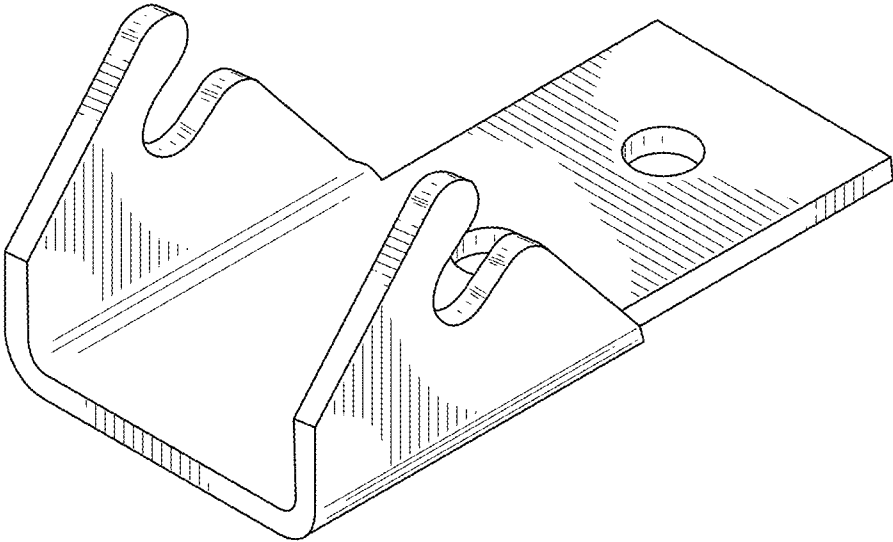
The ornamental design for a hinge hook, as shown and described.

**DESCRIPTION**

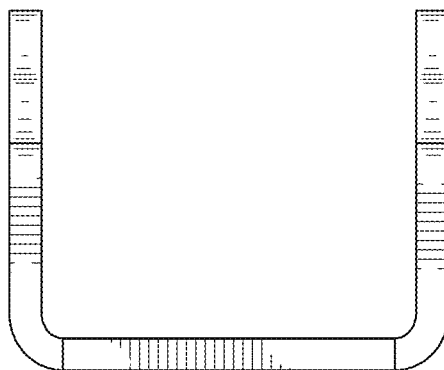
FIG. 1 is a right perspective view;  
 FIG. 2 is a front view;  
 FIG. 3 is a back view;  
 FIG. 4 is a right side view;  
 FIG. 5 is a left side view;  
 FIG. 6 is a top view; and,  
 FIG. 7 is a bottom view.

**1 Claim, 5 Drawing Sheets**

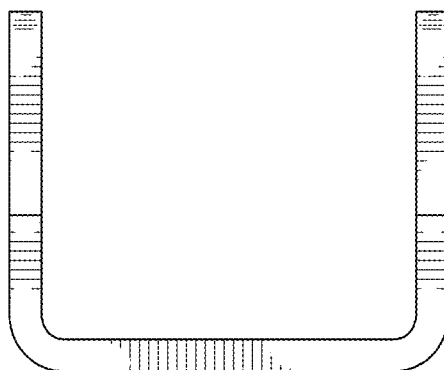




**FIG. 1**



**FIG. 2**



**FIG. 3**

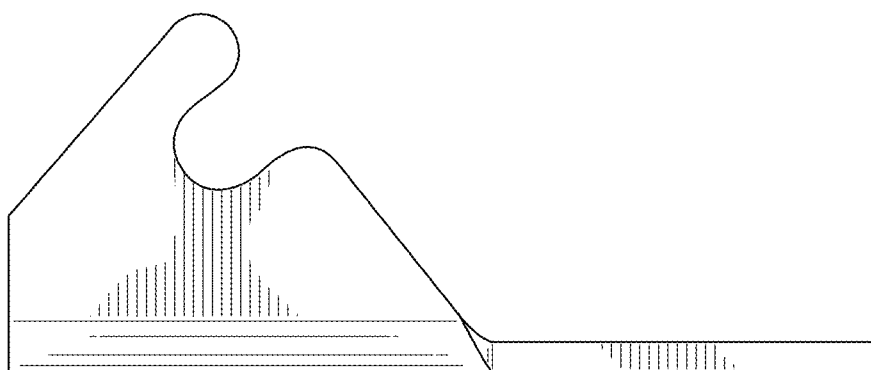


FIG. 4

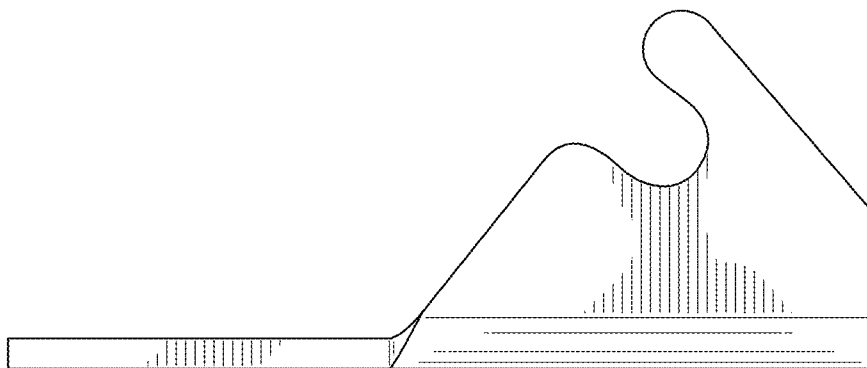


FIG. 5

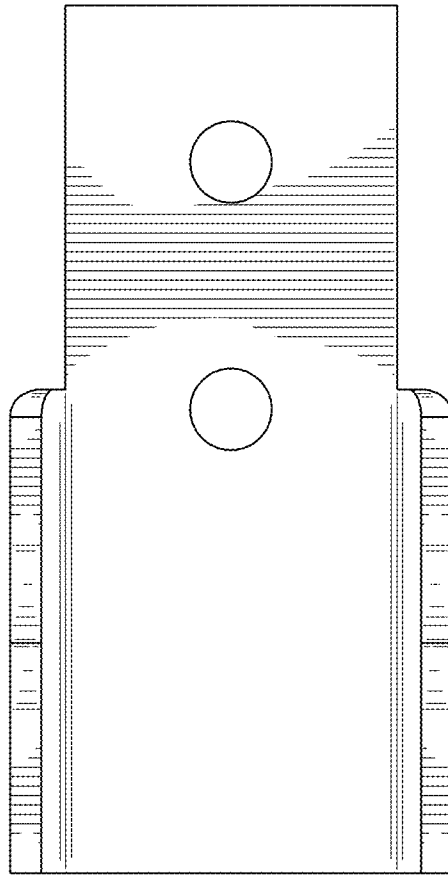
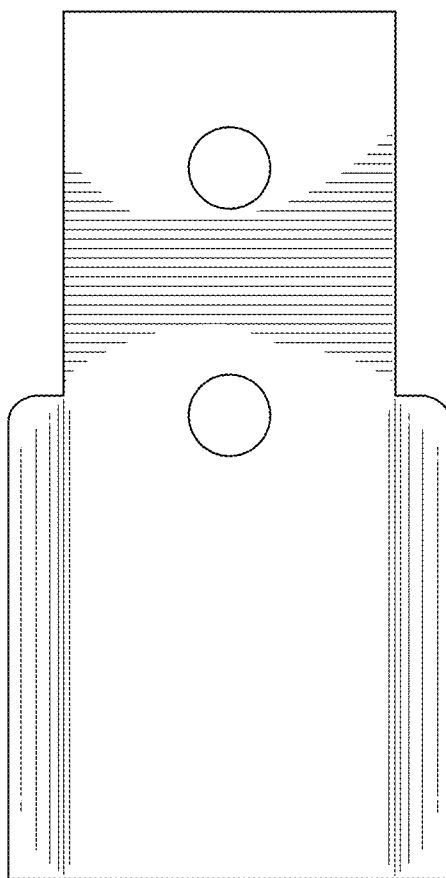


FIG. 6



**FIG. 7**