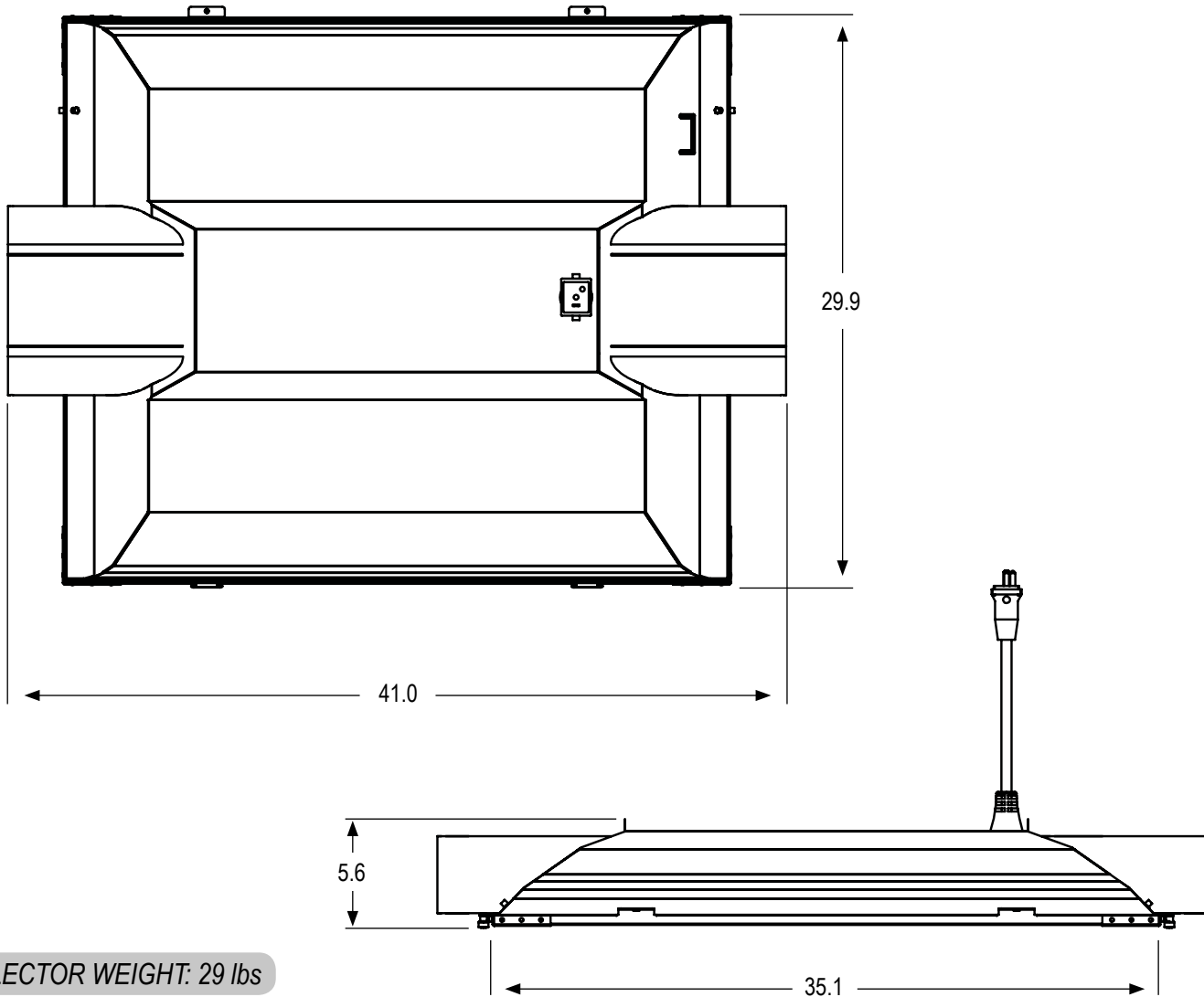


# SPECIFICATIONS

# Magnum Low Pro XXXL™ 8 Inch Air-Cooled Reflector

Item #904770



REFLECTOR WEIGHT: 29 lbs



*This document is not intended to be used for installation purposes. We cannot cover all specific applications or anticipate all requirements. All specifications are subject to change without notice.*

• = yes

•	ETL LISTED
	NOT ETL LISTED
<b>Tested to UL Standard #1598</b>	
•	AIR-COOLED
•	ACCEPTS GLASS
•	HINGED GLASS FRAME
	DETACHABLE LAMP CORD
•	600 VOLT RATED CORD
•	FABRICATED IN USA*
•	5 YEAR WARRANTY
<b>BALLAST COMPATIBILITY</b>	
•	HPS
•	MH
<b>Max. Wattage: 1500</b>	
<b>LAMP COMPATIBILITY</b>	
•	HPS
•	MH
<b>Max. Wattage: 1500</b>	
<b>LAMP POSITION</b>	
•	HORIZONTAL
	VERTICAL
<b>LAMP SOCKET TYPE</b>	
	INTEGRATED DOUBLE-ENDED
•	INTEGRATED 5KV MOGUL BASE

\* with US and globally sourced parts