



Project:  
Item:  
Quantity:

VACUUM PACKING MACHINE MARLIN 52 II - SPEC SHEET

**MARLIN 52 II**  
**VACUUM PACKING MACHINE**



**FEATURES**

- Seal bar length: 2x20.5"
- Seal bars with two wires, for double security
- Seal bars easily removable for cleaning and maintenance purposes
- Pump capacity: 2,780 cf/h (75 m<sup>3</sup>/h) Busch vacuum pump
- Pump maintenance and cleaning program
- Machine cycle: 20-40 sec
- Sensor control: 1-99.8%, for an optimum and consistent vacuum and cycle time
- Soft Air to protect the product and vacuum pouch
- 10 program memory
- Transparent lid, which opens automatically after every cycle
- Deep drawn vacuum chamber
- Comes with insert plates for a faster cycle and product adjustment
- Stainless steel exterior
- 12ft cord with NEMA 14-50P plug

**DESCRIPTION**  
The robust, stainless steel Marlin 52 II vacuum packer is standard equipped with a Busch vacuum pump. This machine is ETL listed and complies with UL, CSA and CE standards.

**OPTIONS AND ACCESSORIES**

- Cut-off seal
- Wide seal
- Inclined insert plate
- Food container adaptor
- Advanced Control System (ACS)
- Liquid Control

**WARRANTY**  
Henkelman Inc offers a warranty of 1 year on labor and 3 years on parts. For full warranty details, please refer to [www.henkelman.com](http://www.henkelman.com).

**DATE** **APPROVAL**

**FIT FOR FOOD SERVICE**  
[WWW.HENKELMAN.COM](http://WWW.HENKELMAN.COM)

**HENKELMAN INC.**  
493 W Fullerton Ave  
Elmhurst IL, 60126

**Sales and technical support**  
P +1 331 979 2013  
F +1 630 359 3875  
E [info@henkelmanusa.com](mailto:info@henkelmanusa.com)

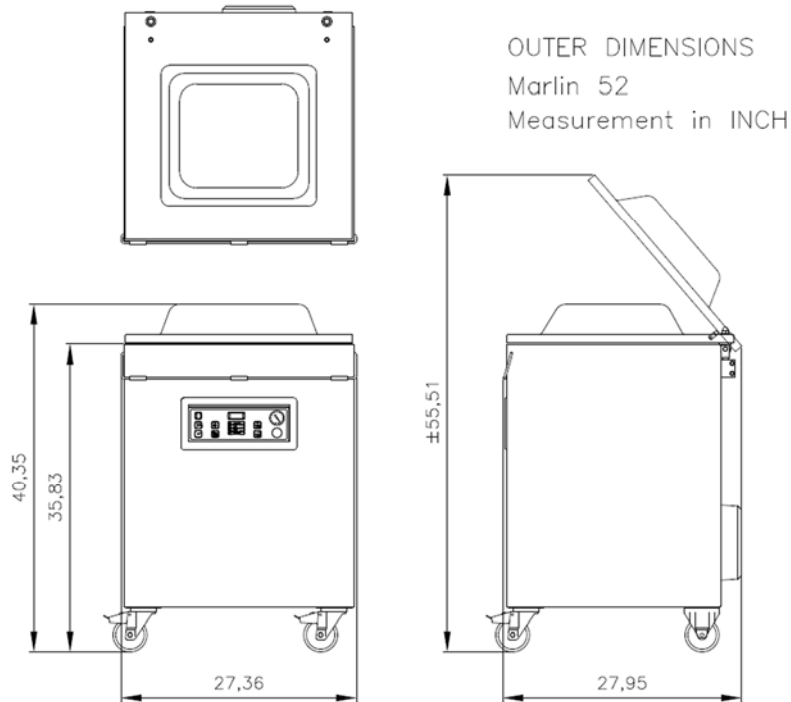
**Service and warranty**  
P +1 844 208 5685

# VACUUM PACKING MACHINE MARLIN 52 II – SPECS

VACUUM PACKING MACHINE MARLIN 52 II – SPEC SHEET

## DIMENSIONS

In inches



Model	Dimensions (inches)		Volts	Amps	Hz	Pump capacity	HP	Plug	Weight (lbs)
	Chamber (usable space) LxWxH	Machine LxWxH							
Marlin 52 II	20.5"x19.7"x7.9"	28"x27.4"x40.4"	208-220V	20	60Hz	2,780 cf/h (75 m3/h)	4.7	NEMA 14-50P	364



**3 pole, 4 wire grounding 3 x 208 Volt**



FIT FOR FOOD SERVICE  
[WWW.HENKELMAN.COM](http://WWW.HENKELMAN.COM)

HENKELMAN INC.  
493 W Fullerton Ave  
Elmhurst IL, 60126

Sales and technical support  
P +1 331 979 2013  
F +1 630 359 3875  
E [info@henkelmanusa.com](mailto:info@henkelmanusa.com)  
Service and warranty  
P +1 844 208 5685