



Sebastopol, CA 95473-1576 • 707-824-9376 • www.generalhydroponics.com

BLUE STONE AIR PUMP



BLUE STONE AIR PUMP CSE CO., LTD.

3Na, 603 Shihwa Industrial Complex,
1280-2, Jeongwang-dong,
Siheung-si, Gyeonggi-do, Korea
Phone : + 82 - 31 - 488 - 8171
Fax : + 82 - 31 - 488 - 2486
URL : <http://www.csetp.com>

PRODUCT INSTRUCTIONS

MODEL : AP-0025B
AP-0025B(α)
AP-0025B(β)



FILE NO. : 226690

SAVE THESE INSTRUCTIONS.

- ※ READ AND FOLLOW ALL SAFETY INSTRUCTIONS CAREFULLY BEFORE ATTEMPTING TO INSTALL, OPERATE OR SERVICE THE BLUE STONE AIR PUMP.
- ※ THIS INSTRUCTION SHEET INCLUDES A WARRANTY CARD.

GUIDELINES

◆ Thanks for purchasing the BLUE STONE AIR PUMP ◆

The BLUE STONE AIR PUMP unit you purchased is of the highest quality workmanship and material.

This instruction sheet will provide you with information required to safely own, installation, maintenance, service and operate the BLUE STONE AIR PUMP.

PLEASE READ INSTRUCTIONS CAREFULLY BEFORE ATTEMPTING TO USE.

INTRODUCTION

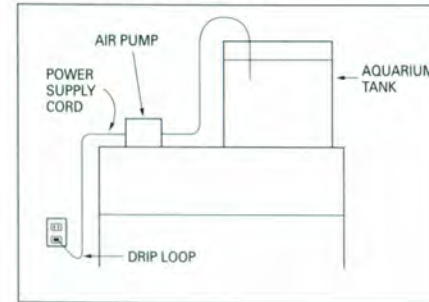
- This user manual provides customers the information to keep and operate safely "AP-0025B" BLUE STONE AIR PUMP.
- This air pump should use for aquarium and would pump air into water from outside of aquarium.

WARNING

- TO GUARD AGAINST INJURY, BASIC SAFETY PRECAUTIONS SHOULD BE OBSERVED. INCLUDING THE FOLLOWING.
READ AND FOLLOW ALL SAFETY INSTRUCTIONS.

DANGER

- TO AVOID POSSIBLE ELECTRIC SHOCK, SPECIAL CARE SHOULD BE TAKEN SINCE WATER IS EMPLOYED IN THE USE OF AQUARIUM EQUIPMENT.
- FOR EACH OF THE FOLLOWING SITUATIONS, DO NOT ATTEMPT REPAIRS BY YOURSELF, RETURN THE APPLIANCE TO AN AUTHORIZED SERVICE FACILITY FOR SERVICE OR DISCARD THE APPLIANCE.
 - If the appliance falls into the water, DON'T reach for it! First unplug it and then retrieve it. If electrical components of the appliance get wet, unplug the appliance immediately.
 - Carefully examine the appliance after installation. It should not be plugged in if there is water on parts not intended to be wet.
 - Do not operate any appliance if it has a damaged cord or plug, or if it is malfunctioning or has been dropped or damaged in any manner.
 - To avoid the possibility of the appliance plug or receptacle getting wet, position aquarium stand and tank to one side of a wall-mounted receptacle to prevent water from dripping onto the receptacle or plug.
A "drip loop" shown in the figure below;



- If the plug or receptacle does get wet, DON'T unplug the cord.
Disconnect the fuse or circuit breaker that supplies power to the appliance.

SAFETY INSTRUCTIONS

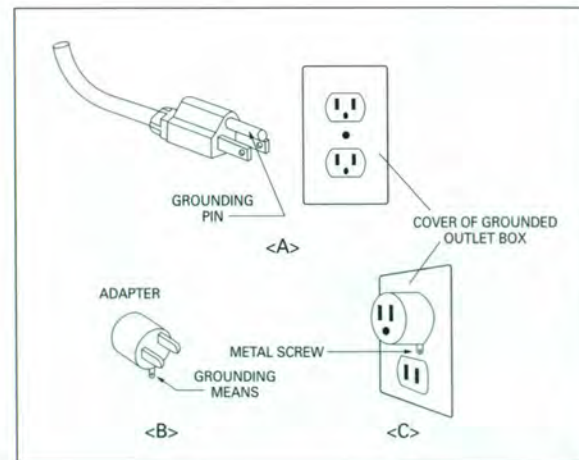
- Close supervision is necessary when any appliance is used by or near children.
- To avoid injury, do not contact moving parts or hot parts such as heaters, reflectors, lamp bulbs, and the like.
- Always unplug an appliance from an outlet when not in use, before putting on or taking off parts, and before cleaning.
- Do not use an appliance for other than intended use.
- Do not install or store the appliance where it will be exposed to the weather or to temperatures below freezing.
- Make sure an appliance mounted on tank is securely installed before operating it.
- Read and observe all the important notices on the appliance.
- If an extension cord is necessary, a cord with a proper rating should be used.

INSTALLATION INSTRUCTIONS

- Must be located in the place where the weight of the Pump is kept.
- The Pump must be located in the place where the ventilation goes well.
- This unit is designed to use for normal AC120V 60Hz and has the ground connection plug. Don't connect with different voltage.
- This unit shall be set with ground connection type plug and electric code which has unit ground connection conductor. The plug should have ground connection in accordance with proper signal code and should be connected with installed outlet.
- This pump should not be used with three or two ground connection adapter.
- To minimize the possibility of electric shock, this unit must has ground connection.

GROUNDING INSTRUCTIONS

This appliance should be grounded to minimize the possibility of electric shock. This appliance is equipped with an electric cord having an equipment grounding conductor and a grounding type plug. The plug must be plugged into an outlet that is installed and grounded in accordance with all appropriate codes and ordinances. This appliance is for use on a nominal 120-volt circuit, and has a grounding plug that looks like the plug illustrated in (A) below. A temporary adapter which looks like the adapter illustrated in (B) and (C) below may be used to connect this plug to a two-pole receptacle as shown in (C) if a grounded outlet is not available. The temporary adapter should be used only until a grounded outlet can be installed by a qualified electrician. The green-colored rigid ear (lug, and the like) extending from the adapter must be fastened to a permanent ground such as a grounded outlet box.

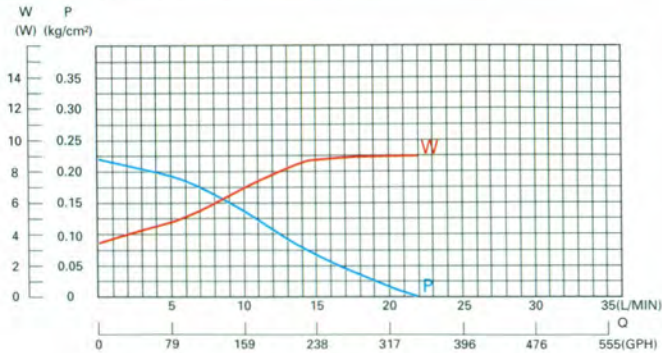


OPERATION AND MAINTENANCE

- This pump is supplied after complete assembly and inspection. Please check the condition of bolts screwed up on outside of pump before operation.
- This pump is not for submersible but only for in-line mode.
- Do not soak this unit in liquid.
- Please place the pump where well ventilated and keep away from where pump would be wet by water drop.
- During winter, keep pump on against freezing as it could cause distortion and damage of unit.

PERFORMANCE CURVE

ROOM TEMP : 24°C, WATER TEMP : 24°C
VOLT : AC 120V, FREQ : 60Hz



WARRANTY

- This product can be guaranteed as the description of warranty card.
- The warranty period is within 1 year from the original purchase date on the card.

WARRANTY CARD

MODEL: _____ PURCHASE DATE: _____

AGENCY'S NAME: _____ TEL: _____

※ When you show dated warranty card, you can receive full service.

※ Customer is required to check warranty card and well keep it.

BLUE STONE AIR PUMP

