




DOSATRON®

WATER POWERED DOSING TECHNOLOGY

2.5 m³/h - 11 GPM

D 25 F
D 25 F 1
D 25 F 0.2
D 25 F 2
D 25 RE 1500
D 25 RE 09
D 25 RE 2
D 25 GL 2
D 25 RE 4
D 25 RE 5
D 25 RE 10
D 25 RE 2 IE
D 25 RE 5 IE
D 25 RE 10 IE
D 25 RE 2 IE PO



manuel d'utilisation
owner's manual
gebrauchsanweisung
manuale d'uso
manual de utilización
gebruiksaanwijzing
Руководство пользователя
Instrukcja obsługi
Manual de utilização



DOSATRON®

WATER POWERED DOSING TECHNOLOGY

**SERVICE CLIENTÈLE
CUSTOMER SERVICE
KUNDENBETREUUNG
SERVIZIO CLIENTI
DEPARTAMENTO CLIENTELA
KLANTENSERVICE
СЛУЖБА ПОДДЕРЖКИ КЛИЕНТОВ
DZIAŁ OBSŁUGI KLIENTA
SERVIÇO DE APOIO AO CLIENTE**

**WORLDWIDE - EUROPE :
DOSATRON INTERNATIONAL S.A.S.**

**Rue Pascal - B.P. 6 - 33370 TRESSES (BORDEAUX) - FRANCE
Tel. 33 (0)5 57 97 11 11 - Fax. 33 (0)5 57 97 11 29 / 10 85
e.mail : info@dosatron.com - <http://www.dosatron.com>**

**NORTH & CENTRAL AMERICA :
DOSATRON INTERNATIONAL INC.**

**2090 SUNNYDALE BLVD. CLEARWATER - FL 33765 - USA
Tel. 1-727-443-5404 - Fax 1-727-447-0591
Customer Service: 1-800-523-8499
<http://www.dosatronusa.com>**



English

This document does not form a contractual engagement on the part of Dosatron International and is for information only. Dosatron International reserves the right to alter product specification or appearance without prior notice.

© DOSATRON INTERNATIONAL S.A.S. 2004

You have just become the owner of one of the latest in the line of DOSATRON water powered metering pumps and we congratulate you on your choice.

The development of this model is the result of over 30 years experience. Our engineers have placed the DOSATRON series at the forefront of technical development in the field of in the field of DOSATRON water powered metering pumps.

This DOSATRON will, as time goes by, prove itself to be a most faithful ally.

A little care and attention, regularly spent, will guarantee you an operation in which the word breakdown has no place.

**THEREFORE, PLEASE, READ THIS MANUAL CAREFULLY
BEFORE PUTTING THE DOSATRON INTO OPERATION.**

Important !

The complete model reference and the serial number of your DOSATRON is stamped on the pump body.

Please record this number in the space below and refer to it when you call your distributor for information, parts, and service.

Ref. #.....

Serial #

Purchase Date

Summary

INSTALLATION	PAGE
Precautions	6
Assembling the Dosatron.....	9
Installation hints	12
PUTTING INTO ORDER	
Using for the first time	13
MAINTENANCE	
Recommendations	14
How to drain the Dosatron	14
Fitting the suction tube.....	15
Connecting the external injection.....	15
Adjusting the injection rate.....	15
International conversions	16
Changing seals in the injection assembly.....	17
Changing the dosing seals.....	17
Changing the motor piston.....	18
REFERENCE DESIGNATION	19
TROUBLESHOOTING	20
LIMITED WARRANTY	22

SPECIFICATIONS

	D 25 F / D 25 F 1	D 25 F 0.2	D 25 F 2	D 25 RE 1500
--	----------------------	------------	----------	--------------

Practical operating **flow range**:

Operating **pressure**:

bar	0.30 - 6	0.30 - 6	0.30 - 6	0.30 - 6
PSI	4.3 - 85	4.3 - 85	4.3 - 85	4.3 - 85

Externally adjustable or fixed injection rate:

%	0.8 / 1	0.2	2	0.07 - 0.2
ratio MINI	1:128 / 1:100	1: 500	1:50	1:1500
ratio MAXI				1:500

Concentrated additive injection:

MINI l/h	0.08 / 0.10	0.2	0.2	0.007
MAXI l/h	20 / 25	5	50	5
US Fl. oz/min-MINI	0.045 / 0.06	0.011	0.11	0.004
US GPM-MAXI	0.088 / 0.11	0.022	0.22	0.022

Maximum operating temperature:

Connections (NPT/BSP male):

Hydraulic motor capacity (for every 2 clicks of the piston):

NOTE: The Dosatron is not preset,

UNIT SIZE

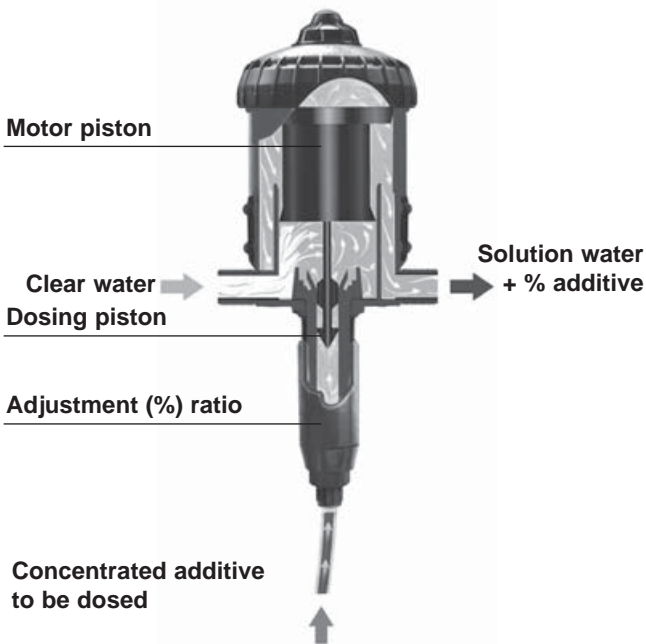
Diameter:	cm	12.7	12.7	12.7	12.7
	["]	5	5	5	5
Total height:	cm	33.9	31.9	33.9	39.8
	["]	13 3/8	12 9/16	13 3/8	15 11/16
Width:	cm	16	16	16	16
	["]	6 5/16	6 5/16	6 5/16	6 5/16
Weight:	± kg	1.0	1.0	1.0	1.2
	[lbs]	2.2	2.2	2.2	2.7

SHIPPING CONTENTS: 1 DOSATRON / 1 mounting bracket for DOSATRON / 1 suction tube of concentrated additive / 1 strainer / 1 injection suction tube for "IE" model / 1 owner's manual

D 25 RE 09**D 25 RE 2
D 25 RE 2 IE****D 25 RE 4****D 25 RE 5
D 25 RE 5 IE****D 25 RE 10*
D 25 RE 10 IE****10 l/h MIN - 2.5 m³/h MAXI** [1/3 US Pint/min - 11 US GPM]*limit 2 m³/h
[8.8 GPM]**0.30 - 6**
4.3 - 85**0.30 - 6**
4.3 - 85**0.30 - 6**
4.3 - 85**0.30 - 6**
4.3 - 85**0.3 - 4**
4.3 - 58**0.1 - 0.9**
1:1000
1:112**0.2 - 2**
1:500
1:50**0.5 - 4**
1:200
1:25**1 - 5**
1:100
1:20**3 - 10**
1:33
1:10**0.01**
22.5
0.0056
0.099**0.02**
50
0.011
0.22**0.05**
100
0.028
0.44**0.1**
125
0.056
0.55**0.3**
200
0.17
0.88**40 ° C** [104 ° F]**Ø 20x27 mm** [3/4"]about **0.45 l** [0.118 US Gallons]see chapter **ADJUSTING THE INJECTING RATE****12.7**
5**12.7**
5**12.7**
5**12.7**
5**12.7**
5**39.8**
15 11/16**39.9**
15 11/16**40.2**
17 5/16**44**
17 5/16**44**
17 5/16**16**
6 5/16**16**
6 5/16**16**
6 5/16**16**
6 5/16**16**
6 5/16**1.2**
2.7**1.2**
2.7**1.2**
2.7**1.2**
2.7**1.2**
2.7**PACKAGE SIZE** : 52 x 16.8 x 17.5 cm [20 1/2" x 6 5/8" x 6 7/8"]**PACKAGE WEIGHT** : 1.7 kg environ [~ 3.7 US lbs]

Precise, simple and reliable

Installed directly in the water supply line, the DOSATRON operates by using water pressure as the power source. Water activates the DOSATRON, which takes up the required percentage of concentrate. Inside the DOSATRON, concentrate is mixed with water. Water pressure forces the solution downstream. The dose of concentrate will be directly proportional to the volume of water entering the DOSATRON, regardless of variations in flow or pressure which may occur in the main line.



Installation

PRECAUTIONS

1- GENERAL REMARKS

- When connecting a DOSATRON either to the public water supply or to its own water source, you must respect the regulations in force concerning protection of the source i.e. backflow prevention, etc.

- When connecting the DOSATRON to the water supply, ensure that the water flows in the direction of the arrows on the unit.

- In a case where the water installation is higher than the DOSATRON itself, there is a possible risk of water and concentrate flowing back through the DOSATRON. In this case, installing a non-return valve downstream is recommended.

- It is recommended that you should place an anti-siphon valve on the downstream side of the dosing pump in installations in which there is a risk of siphoning.

- Do not install the DOSATRON just above an acid container, (risk of acid fumes attacking the DOSATRON) and protect it from possible contact with corrosive products.

- Protect the DOSATRON from freezing temperatures by draining it and store it away from sources

of excessive heat.

- Do not install the DOSATRON on the suction side of the supply pump (risk of siphoning).

- It is the responsibility of the owner/operator to replace the injection seals annually to ensure precise injection.

- The setting of the Dosatron's dosing rate is the sole responsibility of the user. The user has to respect the recommendations given by the manufacturer of the chemical product.

⚠ WARNING

You must comply with the safety instructions when installing, using and performing maintenance on the DOSATRON water-powered dosing pump: use appropriate tools, protective clothing and safety goggles when working on the equipment and install the DOSATRON so that it can be used without presenting a risk.

Follow the instructions in this manual and take the appropriate safety measures for the water temperature and the type of liquid being drawn up. Take extreme care when using dangerous substances

PRECAUTIONS (cont...)

(solvents, acids, and corrosive, toxic, caustic and inflammable substances, etc.).

- For dosing of these substances, consult with your distributor before use in order to confirm they are compatible with your dosing pump.

A dosing pump with the option 'T' is required when installing the DOSATRON on a hot-water supply (60°C/140°F Max).

The higher temperature increases the risk and danger of the aforementioned substances. It is strongly recommended that you place signs on the dosing pump and the hot-water installation warning of this risk and that you comply with legislation in force.

⚠ WARNING! Personnel in charge of installing, using and maintaining this equipment must read this manual.

- It is the responsibility of the owner/operator to check that the flow and pressure of the installation do not exceed the DOSATRON characteristics.

- Adjustment must be made when there is no pressure in the Dosatron. Turn off the water supply and allow the pressure to drop to zero.

- It is the responsibility of the owner/operator of the DOSATRON, to

determine the correct amount of solution and injection ratio to obtain the desired result.

- An air inlet, an impurity or a chemical attack on seal can interrupt the dosing function. It is recommended to periodically check that the solution is being correctly drawn up into the DOSATRON.

- Change the suction tube as soon as it seems damaged by the chemical.

- Relieve the pressure after use (advised).

- Rinsing of the DOSATRON is required :

. when changing chemicals,
. before handling the DOSATRON, to avoid any contact with the chemical.

- All assembly should be done without tool, hand tighten only.

2- WATER WITH HIGH PARTICLE CONTENT

- A (ex.: 300 mesh - 60 microns depending on your water quality) water filter must be installed prior to the DOSATRON (see accessories), if a filter is not installed abrasive substances will cause the DOSATRON to deteriorate prematurely.

3- WATER-HAMMER / EXCESSIVE FLOW

- For installations subject to water

hammer a protection device such as a check valve or union ball check must be fitted (pressure/flow control system).

- For automatic installations, slow opening and closing solenoid valves are preferable.

- In an installation where a DOSATRON serves several sectors, the closing of one sector and the opening of another sector must be done at the same time (simultaneous operation of the solenoid valves).

4- INSTALLATION LOCATION

- The location of the DOSATRON and concentrate container should be accessible, but should never present a risk of pollution or contamination.

- It is recommended to label all water lines with a warning about the injected solution i.e. Not For Human Consumption.

5- MAINTENANCE

- Rinse the injection areas after using the DOSATRON. To do this, insert suction tube into container of clean water (~ 1 liter [0.264.US GALLONS]).

- Routine maintenance once a year will add to the life of your DOSATRON. Replace the dosing seals as well as the suction tube annually to ensure proper injection.

6- SERVICE

- This DOSATRON was tested prior to packaging.

- Complete maintenance and seal kits are available.

- Call your DOSATRON distributor for service or parts.

ASSEMBLING THE DOSATRON

ASSEMBLY SHOULD BE CARRIED OUT WITHOUT THE USE OF TOOLS

The DOSATRON is delivered with :

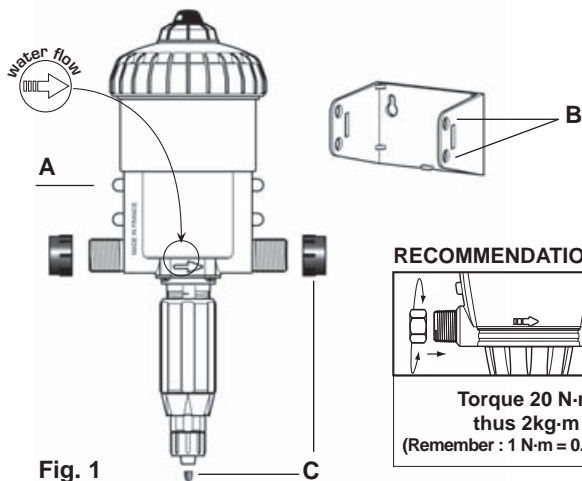
- a mounting bracket,
- a suction tube with a strainer.

The bracket enables the DOSATRON to be fixed to a wall.

Snap the DOSATRON into the bracket by fitting the two lugs on one side of the body (**Fig. 1-A**) into the corresponding holes in the bracket (**Fig. 1-B**), and springing the bracket arms apart until the other 2 lugs click into place.

Remove the plastic caps (**Fig. 1/2-C**) which block the inlet and outlet of your DOSATRON before connecting to the water supply.

The DOSATRON can be connected to the water supply by means of $\varnothing 20 \times 27$ (3/4") bore flexible hose and hose tail fittings with hose clips. Make certain that water flows in the same direction as the arrows on the motor body.



EXTERNAL INJECTION (IE) MODELS

In order to use corrosive concentrates, the external injection model DOSATRON is also delivered with an external injection hose (Fig. 2-D).

CAUTION screw in the components carefully !

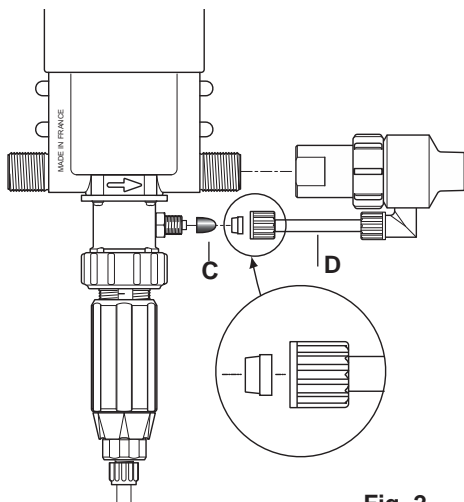


Fig. 2

ASSEMBLING THE DOSATRON (cont...)

The DOSATRON is delivered with a suction tube (cut it to the needed length) enabling its use with a large capacity concentrate container.

The tube must be fitted with its strainer and weights.

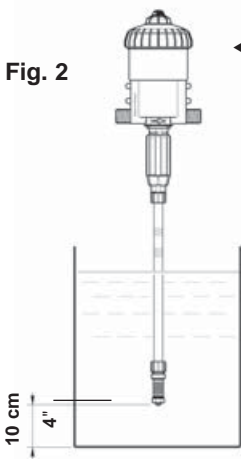
The instructions for fitting the tube are to be found in the specific chapter.

NOTE : The maximum suction height is 4 meters (13 vertical feet).

Fit the tube, equipped with its strainer and its weight, and immerse it in the solution to be injected.

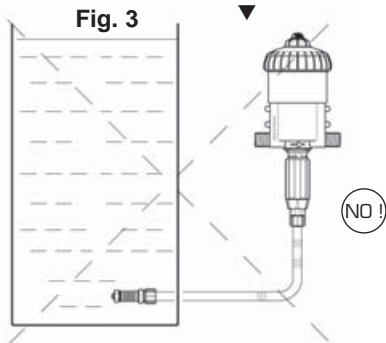
IMPORTANT ! - Do not put the suction tube strainer on the bottom of the stock solution container. The strainer must be suspended at least 10 cm [4"] above the bottom of the tank to avoid sucking up the insoluble particles that may damage the injection assembly (Fig.2).

- Do not put the strainer on the ground.



◀ **WHAT YOU SHOULD DO**

WHAT YOU MUST NOT DO



Under no circumstance should the solution level be above the water inlet of the DOSATRON (to avoid siphoning situations).

INSTALLATION HINTS

The DOSATRON can be connected to the main water line **directly (Fig. 4)** ; on a **by-pass (Fig. 5)**, recommended. If your flow rate is above the operating limits of the DOSATRON, see **EXCESSIVE FLOW**.

To prolong the working life of the DOSATRON it is advisable to install a filter (ex.: 300 mesh - 60 microns depending on your water quality) upstream. This is imperative if the water contains impurities or particles, especially if the water comes from a well.

A filter is recommended and required for the warranty to be valid.

Installing the DOSATRON on a bypass enables clean water to be supplied without operating the DOSATRON and the DOSATRON to be easily dismantled.

When connecting an installation to the public water supply, you must respect the rules and regulations in force in the country.

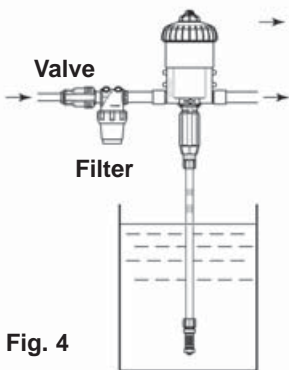


Fig. 4

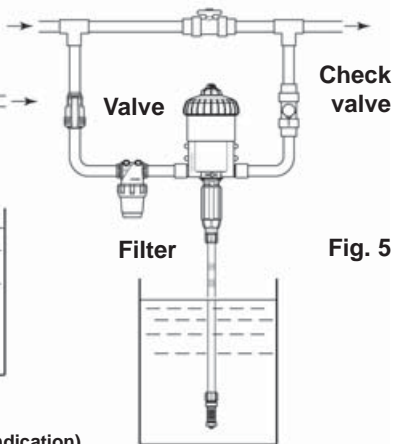


Fig. 5

EXCESSIVE FLOW (as an indication)

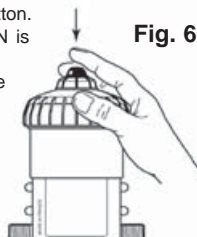
If your DOSATRON clicks more than **40 times**, that is **20 cycles in 15 seconds***, you are close to the maximum flow limit. If you need more flow, you must install a DOSATRON with a higher capacity of flow.

*D 25 RE 10 = 30 times, 15 cycles

Putting the Dosatron into order

USING FOR THE FIRST TIME

- Partially open the water inlet valve.
- Press the bleed button on the top of the DOSATRON (**Fig. 6**).
- When a constant flow of water is seen coming from around the bleed button (no more "spitting" of air), release the button.
- Open the water inlet valve slowly, the DOSATRON is self-priming.
- Operate the DOSATRON until the product to be injected is drawn up into the doser body (the product is visible through the plastic tube).
- The DOSATRON makes a characteristic "click-clack" noise when working.



NOTE: The time required to prime the suction tube depends on water flow-rate, ratio setting and length of the suction tube. To bleed air from the suction tube and accelerate priming, set injection rate at maximum. Once the DOSATRON is primed, adjust to the required injection rate (see § ADJUSTING THE INJECTION RATE).

The DOSATRON may be fitted in its upper part with the function by-pass (optional equipment) :

- By-pass in **ON**, the DOSATRON works and the concentrate is drawn up.
- By-pass in **OFF**, the DOSATRON is stopped and does not draw up the product.

ON



OFF

Maintenance

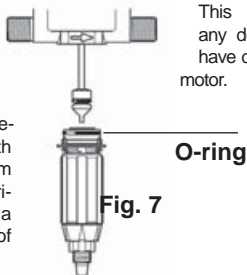
RECOMMENDATIONS

1 - When using soluble products to be made up into solutions, we recommend the periodic dismantling of the entire dosing part

(see : § CLEANING AND REFITTING THE SUCTION VALVE § CHANGING SEALS IN THE INJECTION ASSEMBLY).

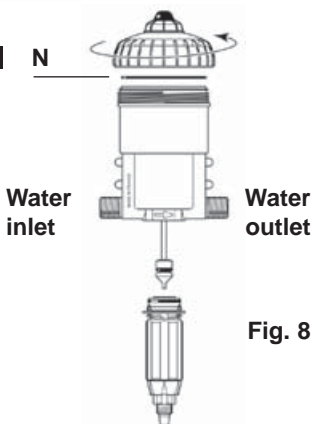
Thoroughly rinsing all the elements of the dosing part with water and re-assembling them after having previously lubricated the seal (Fig. 7) with a silicone lubricant, in the case of difficulty in re-fitting.

2 - Before putting the DOSATRON into operation after a non-use period, remove the motor piston and soak it into lukewarm water < 40° C [104°F] overnight. This helps to dissolve any deposits which may have dried onto the piston motor.



HOW TO DRAIN THE DOSATRON (in case of freezing temperature)

- Turn off the water supply.
- Remove the injection assembly, see § CHANGING THE MOTOR PISTON.
- Remove the screw-top and the motor piston.
- Disconnect the water inlet and outlet fittings.
- Remove the pump body from the mounting bracket, unscrew the screw-top and empty any remaining water.
- The DOSATRON can now be re-assembled, having first cleaned the seal (Fig. 8-N).

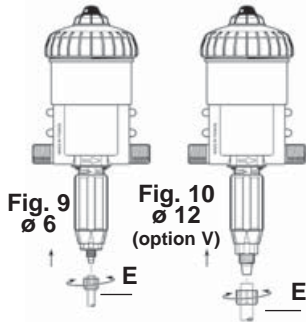


FITTING THE SUCTION TUBE

If the DOSATRON has already been used, please **imperatively refer to: PRECAUTIONS.**

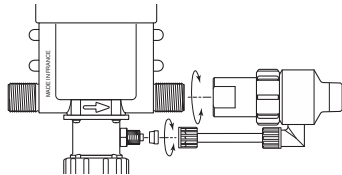
- Unscrew the nut (**Fig. 9-E**) at the bottom of the injection assembly and put it over the hose.
- Push the tube onto the dip tube insert **as far as it will go** and screw up the nut **by hand.**
- Identical process for viscous products option (**Fig. 10-E**).

Model in the drawing: D 25 RE 2



CONNECTING THE EXTERNAL INJECTION (IE)

If the DOSATRON has already been used, please imperatively refer to chapter **PRECAUTIONS.**

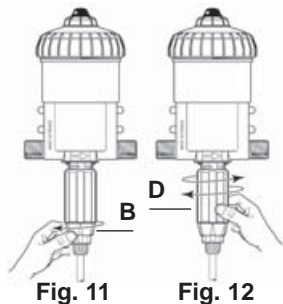


ADJUSTING THE INJECTION RATE (with pressure off)

IMPORTANT ! Use no tools
ADJUSTMENT MUST BE MADE WHEN
THERE IS NO PRESSURE IN THE
DOSATRON

- Turn off the water supply and allow the pressure to drop to zero.
- Unscrew the blocking ring (**Fig. 11-B**).
- Screw or unscrew the adjusting sleeve (**Fig. 12-D**) so as to bring the top of the sleeve into line with the desired injection rate.
- Tighten the blocking ring (**Fig. 11-B**).

Model in the drawing: D 25 RE 2



INTERNATIONAL CONVERSIONS

Principle : Setting at 1% $\Rightarrow 1/100 = 1$ part of concentrate for 100 parts of water.

Ex. : Setting at 2% $\Rightarrow 2/100 = 2$ parts of concentrate for 100 parts of water.
Ratio $\Rightarrow 1:50$.

CHANGING SEALS IN THE INJECTION ASSEMBLY (with pressure off)

Frequency : Once per year.

IMPORTANT ! Use no tool or metallic utensils

ADVICE: Before dismantling any part of the injection assembly it is advisable to operate the DOSATRON, injecting clean water so as to rinse through the injection system. In this way, risks of contact with concentrated solutions in the injection assembly are minimized.

During any such intervention, wear protective eyewear and gloves !

METHOD OF REMOVING SEAL

Fig. 13 : Between finger and thumb, pinch the component and the seal ; push towards one side to deform the seal.

Fig. 14 : Increase the deformation to grip the part of the seal thus exposed and pull it out of its groove.

Clean the seal seating without any tools.

Refitting is done by hand.

It is very important that the seal is not twisted once in place as this would impair its efficiency.

Fig. 13

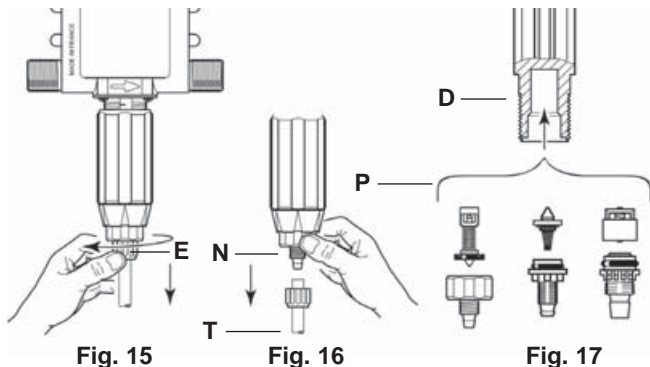


Fig. 14



CHANGING SEALS IN THE INJECTION ASSEMBLY (cont...)

CLEANING AND REFITTING THE SUCTION VALVE



- Turn off the water supply and allow the pressure to drop to zero.
- Unscrew the nut (**Fig. 15-E**) and pull downwards to remove the suction tube (**Fig. 16-T**).
- Unscrew and remove the nut (**Fig. 16-N**).
- Pull downwards to remove the suction valve assembly (**Fig. 17**).
- Rinse copiously the different parts with clean water, re-assemble them (**Fig. 17**).
- Put the valve back (**Fig. 17-P**) in the doser body (**Fig. 17-D**), push it in the back.
- Check that the return spring is working.
- Re-assemble in the reverse order to the above **by hand**.

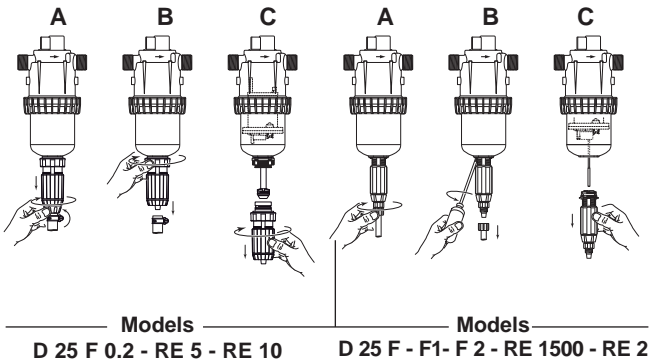
CHANGING THE DOSING SEALS

- Change the seals, the suction valve and the barbed fitting.
- To do this, please refer to the drawings of the different models at the end of this manual.
- **Change the seals once a year.**
- Turn off the water supply and allow the pressure to drop to zero.
- Take off the suction tube of product, remove the injection assembly as described in the previous chapter.
- Pull downwards to remove the injection assembly.
- Re-assemble in the reverse order to the above.

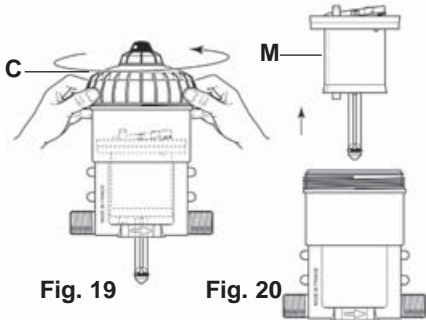
CHANGING THE MOTOR PISTON (with pressure off)

- Turn off the water supply and allow the pressure to drop to zero.
- Take off the suction tube of product (Fig. 18 A).
- Unscrew the injection part by hand or by means of a long cruciform screwdriver, according to the dispenser type (Fig. 18 A).
- Pull downwards to remove the dosing part (Fig. 18 C).

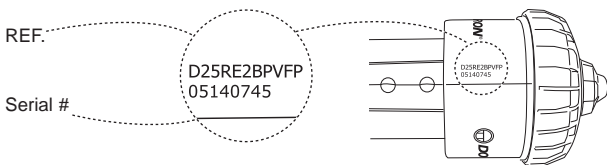
Fig. 18



- Unscrew the screw-top by hand (Fig. 19-C) and remove it.
- Remove the motor piston (Fig. 20-M) by pulling it up.
- Change and reassemble in the reverse order to the above.
- Refit the screw-top (take care not to damage its seal) and tighten by hand.



Reference Designation



REF :	Serial #:										
EXAMPLE	D 25...	RE/GL	2	IE	BP	V	AO	AF	P	PO	ii
Type of DOSATRON											
RE: adjustable											
GL: Green Line (fertigation) [Green]											
Dosage (% or ratio)											
IE: External Injection											
BP: integrated by-pass											
V: Viscous Products (200-400 cSt)											
AO: Organic Acid											
Dosing Seals:											
AF = Advised for alkalines concentrates PH 7-14											
VF = Advised for acides concentrates PH 1-7											
K = strong acids (>15%)											
Color:											
- = Blue [PP]											
P = White [PVDF]											
R = Red [PP]											
V = Green [PP]											
J = Yellow [PP]											
O = Orange [PP]											
PO: POLYMERS											
Others extensions (consult us)											

Troubleshooting

SYMPTOM	CAUSE	SOLUTION
Motor piston		
DOSATRON does not start or stops	Piston stalled.	Reset piston, by hand.
	Air has not been bled from unit.	Bleed air from unit, by bleed button.
	Maximum flow exceeded.	1. Reduce flow, restart unit. 2. Unscrew the top cap. Take off the piston and check piston valves seals to ensure correct position.
	Motor piston is damaged.	Return unit to your service center for repair.
Injection		
Water flowing back into concentrate container.	Contaminated, worn, or missing check valve parts.	Clean or replace it.
No suction of concentrate.	The piston motor has stopped.	See Motor piston section.
	Air leak (inlet) in the suction tube.	Check the tightness between nut and suction hose.
	Blocked suction tube or clogged strainer.	Clean or replace it.
	Missing or worn suction check valve seal.	Clean or replace it.
	Missing or worn plunger seal.	Clean or replace it.
	Worn injection stem	Replace it.

SYMPTOM	CAUSE	SOLUTION
Injection		
Under injection.	Suction of air.	1. Check the tightness of the nuts in the injection area. 2. Check suction tube.
	Dirty or worn check valve seal.	Clean or replace it.
	Maximum flow exceeded (cavitation).	Reduce flow.
	Worn plunger seal.	Replace it.
	Worn injection stem	Replace it.
Leaks		
Leaks in the vicinity of the fixing ring under the body housing.	Injector sleeve seal is damaged or positioned incorrectly.	Replace it.
Leaks between the setting sleeve and the blocking ring.	Injector stem seal damaged, positioned incorrectly or missing.	Replace it.
Leaks between the body and screw-top.	Screw-top seal is damaged, positioned incorrectly or missing.	Unscrew the screw-top, clean the seal seating, replace or change the seal. Position correctly the screw-top.

**THE MANUFACTURER
DECLINES ALL RESPONSIBILITY IF THE DOSATRON
IS USED IN CONDITIONS THAT DO NOT CORRESPOND
TO THE OPERATING INSTRUCTIONS AS INDICATED
IN THIS MANUAL.**

Limited warranty

DOSATRON INTERNATIONAL S.A.S. will provide for replacement of all parts shown to be defective in material or workmanship during a period of twelve months from the date of purchase by the original purchaser. To obtain warranty replacement of a part, the DOSATRON must be returned with original proof of purchase receipt to the manufacturer or authorized distributor and thereafter recognized as defective after examination by the technical services of the manufacturer or distributor. The DOSATRON must be flushed of any chemical and sent to the manufacturer or distributor prepaid, but will be returned free of charge once repairs are made if found to be covered by the warranty.

Any repairs made under warranty will not extend the initial warranty period. This warranty only covers circumstances where the part has failed due to defects caused by the manufacturing process.

This warranty is invalid if the defects are found to be due to the product's misuse, inappropriate use of tools, lack of maintenance or defective installation or environmental accidents or corrosion by foreign bodies and liquids found within or in proximity to the DOSATRON.

Before using any aggressive chemicals, please consult your distributor to confirm compatibility with the dosing

pump. The seals and "o-rings" are not covered under warranty, nor is damage to the DOSATRON caused by water impurities such as sand.

A filter (ex.: 300 mesh - 60 microns depending on your water quality) must be used in front of the DOSATRON for the warranty to be valid.

DOSATRON INTERNATIONAL S.A.S. declines any responsibility if the DOSATRON is not used in compliance with the operating instructions and tolerances as indicated in this owner's manual.

This warranty gives you specific legal rights and you may also have other rights which vary from state to state. But any implied warranty or merchantability or fitness for a particular purpose applicable to this product is limited in duration to the time period of this written warranty or any implied warranty.

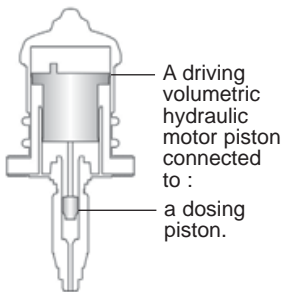
The manufacturer or authorized distributor shall not be liable for incidental or consequential damage, such as any economic loss, resulting from breach of this written warranty or any implied warranty. There are no warranties, express or implied, which extend beyond those described above, relating in any way to products used in conjunction with DOSATRON INTERNATIONAL S.A.S. products.

Don't hesitate to call your distributor or Dosatron for any after sales service.

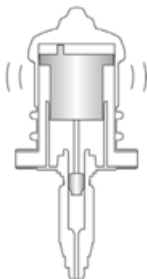
KNOW YOUR FLOW

A SIMPLE METHOD

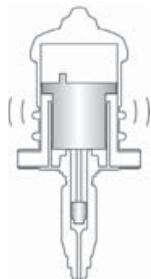
THE DOSATRON IS COMPOSED OF:



In its up and down movement, you can hear the motor piston **click**:



Once in the up position



Once in the down position

2 clicks = 1 motor cycle
= The stroke volume

The speed of the motor is proportional to the flow of water passing through the system.

■ Calculation of water flow in l/h =

$$\frac{\text{Number of clicks in 15 seconds}}{2} \times 4 \times 60 \times 0.45$$

Calculation for 1 minute (4)
 Calculation for 1 hour (60)
 Stroke volume in litres (0.45)

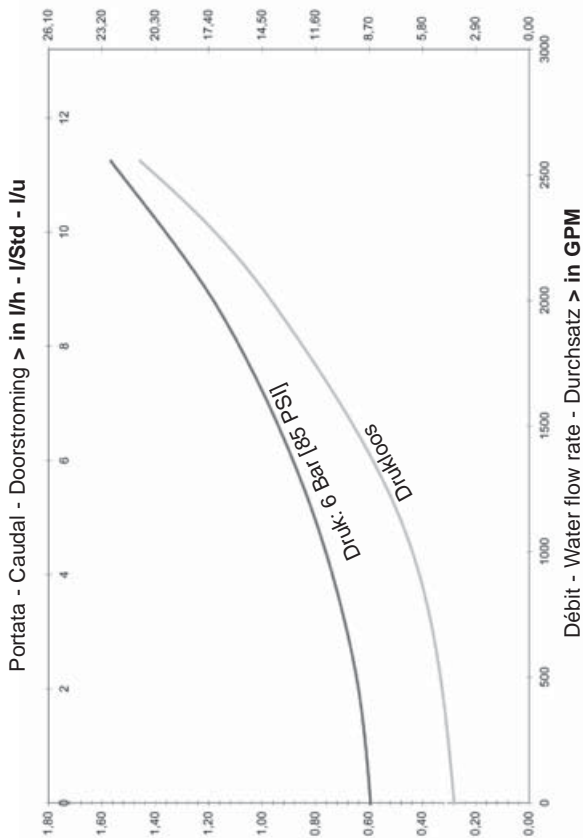
■ Calculation of water flow in GPM =

$$\frac{\text{Number of clicks in 15 seconds}}{2} \times 4 \times 0.45 \div 3.8$$

Calculation for 1 minute (4)
 Stroke volume in litres (0.45)
 Conversion from litres to gallons (3.8)

NOTA : This method of calculation cannot replace a flow meter. It is given only as an approximate guide.

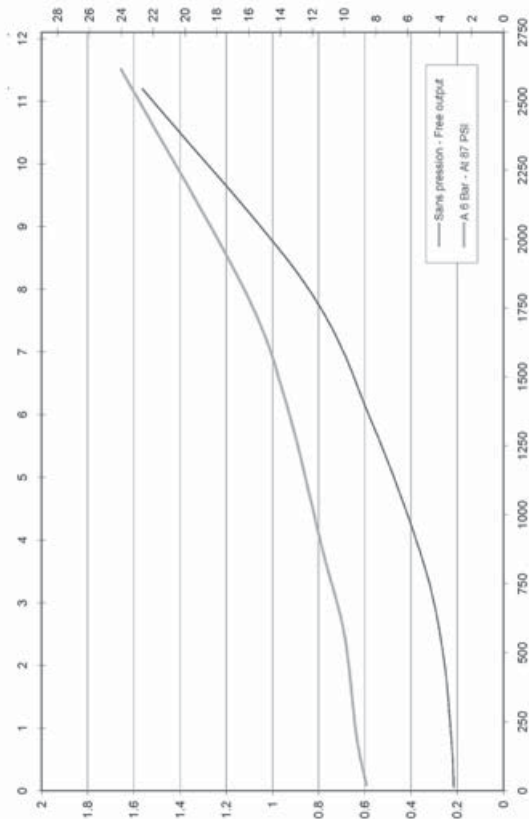
Pertes de charges - Pressure loss - Druckverlust > in PSI



Perdite di carico - Perdidas de carga - Drukverlies > in Bar (kgf/cm²)

Pertes de charges - Pressure loss - Druckverlust > in PSI

Portata - Caudal - Doorstroming > in l/h - l/Std - l/u

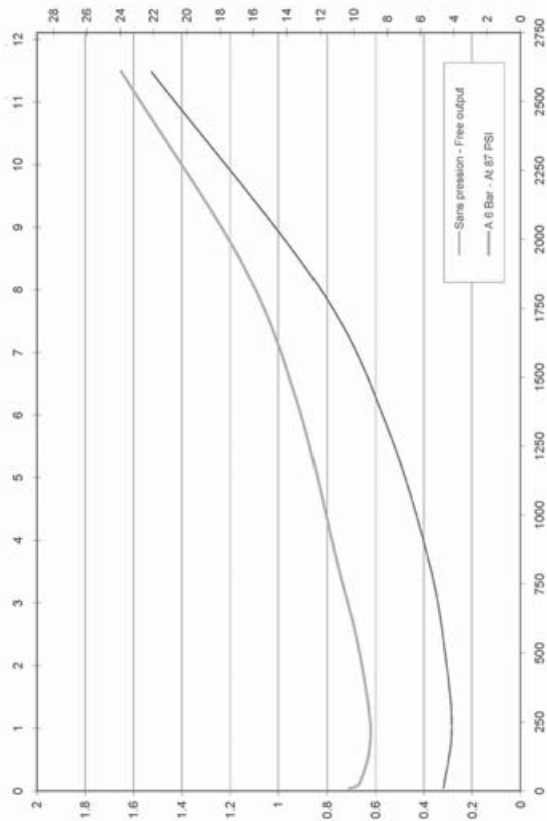


Débit - Water flow rate - Durchsatz > in GPM

Perdite di carico - Perdidas de carga - Drukverlies > in Bar (kgf/cm²)

Pertes de charges - Pressure loss - Druckverlust > in PSI

Portata - Caudal - Doorstroming > in l/h - l/Std - l/u

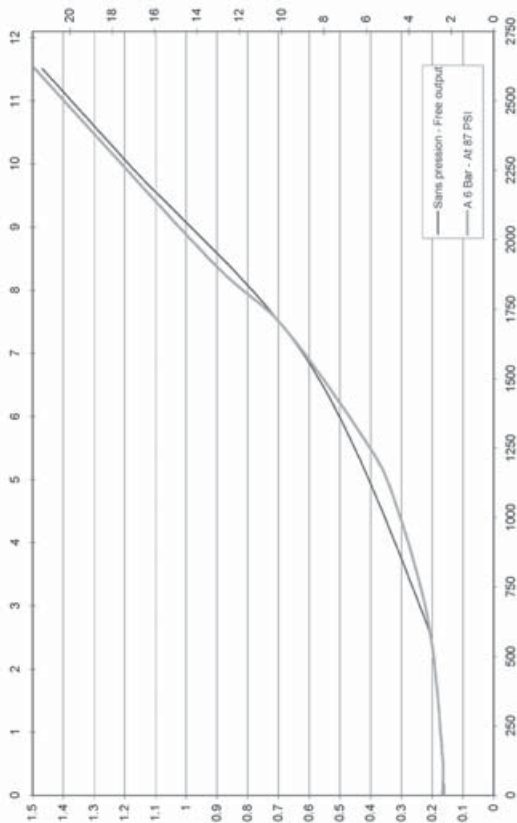


Débit - Water flow rate - Durchsatz > in GPM

Perdite di carico - Perdidas de carga - Drukverlies > in Bar (kgf/cm²)

Pertes de charges - Pressure loss - Druckverlust > in PSI

Portata - Caudal - Doorstroming > in l/h - l/Std - l/u



Débit - Water flow rate - Durchsatz > in GPM

Perdite di carico - Perdidas de carga - Drukverlies > in Bar (kgf/cm²)