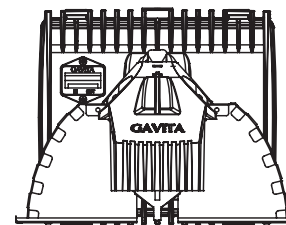
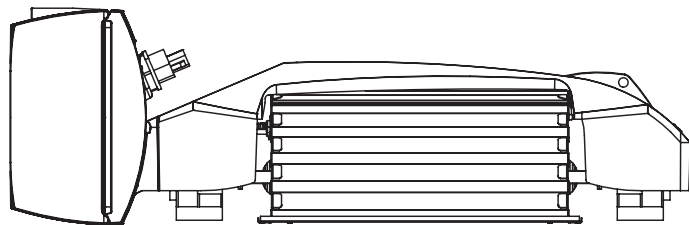
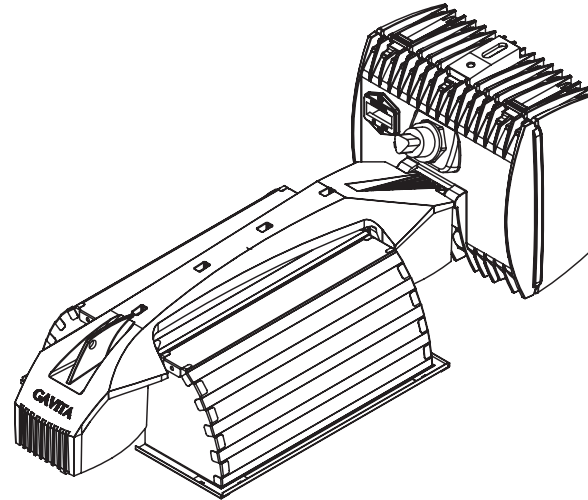
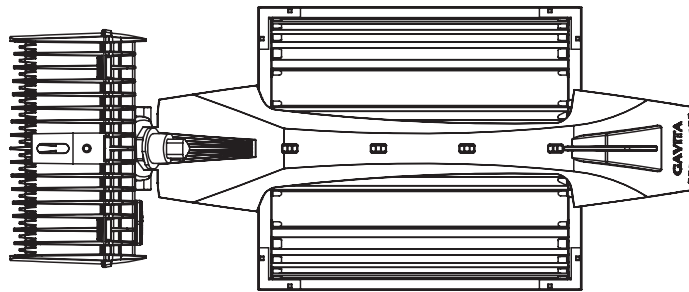


# Gavita® SL2 1000e DE 277/347 V HR96

Item # HGC906748



## SPECIFICATIONS



<b>INPUT VOLTAGE:</b> 277-347 Vac	
<b>INPUT POWER:</b> 1200 W	
<b>INPUT CURRENT:</b> 3.5 - 5 A	
<b>HEAT LOAD:</b> 3,600 btu/hr*	
<b>INRUSH CURRENT:</b> < 27 A	
<b>FREQUENCY:</b> 50/60 Hz	
<b>POWER FACTOR (cosφ):</b> > 0.98	
<b>Voltage THD</b>	
<b>277 V:</b>	0.22%
<b>347 V:</b>	0.20%
<b>Current THD</b>	
<b>277 V:</b>	8.40%
<b>347 V:</b>	10.20%
<b>AMBIENT TEMP:</b> 32-104° F (0-40° C)	
<b>ENVIRONMENTAL RATING:</b> Damp Locations	
<b>MOUNTING:</b> Commercial Bracket    Sun Grip® Hanger	
<b>WEIGHT:</b> 13.2 lbs	<b>DIM:</b> 22.2 in x 9.7 in x 7.8 in
<b>CERTIFICATIONS</b>	
UL 1598, ANSI/CAN/UL STD 8800, CSA 22.2 No. 250.0, FCC Part 18 Non Consumer	
<b>WARRANTY:</b> 3 Year Limited Warranty**	

\*Please consult an HVAC expert to calculate total heat load in your grow space

HGC906748 Gavita® SL2 1000e DE 277/347 V HR96 Spec-Sheet- Last Updated 10/20/21



This document is not intended to be used for installation purposes. We cannot cover all specific applications or anticipate all requirements. All specifications are subject to change without notice.

**HawthorneGC.com | Canada: HawthorneGC.ca**

\*\*When purchased from an authorized Hawthorne dealer, this product is covered by a 3 year LIMITED WARRANTY, available at [hawthornegc.com/warranties](http://hawthornegc.com/warranties). You can also obtain the Terms of Sale and Limited Warranty by calling Hawthorne toll-free at: 1-888-478-6544 or writing Hawthorne at: Hawthorne Hydroponics LLC, 3204 NW 38th Circle, Vancouver, WA 98660, Attn: Customer Service.