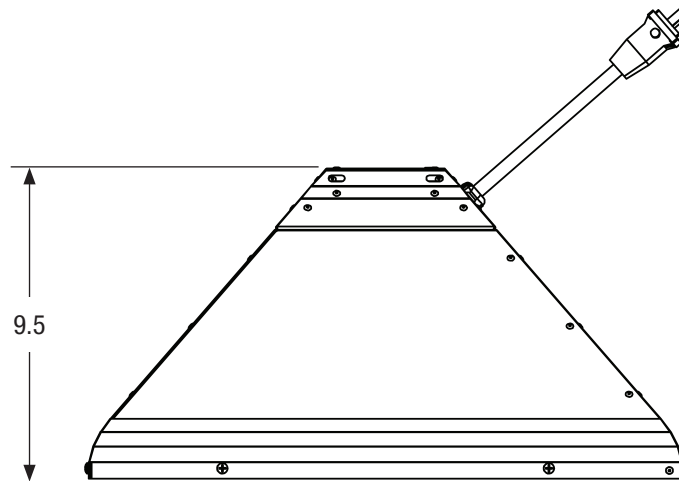
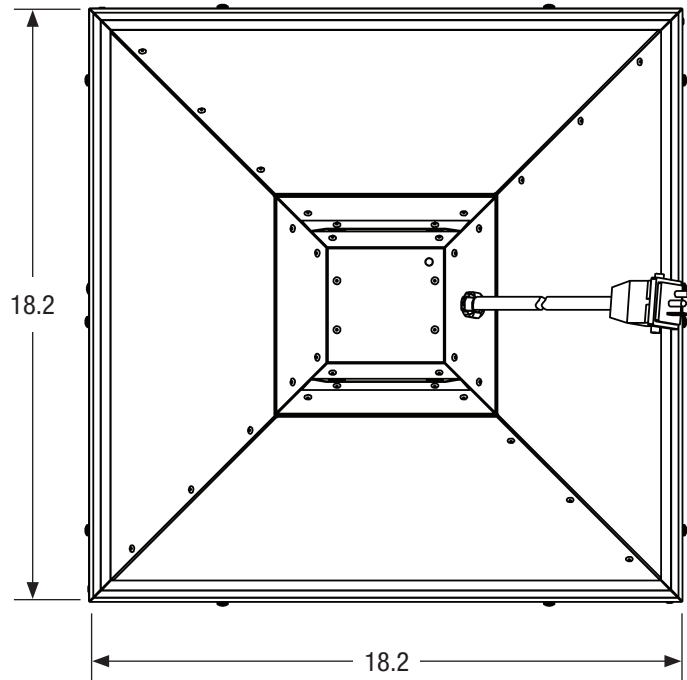


SPECIFICATIONS

LEC® Brand 315 RA™ Remote Reflector

Item #906257



REFLECTOR WEIGHT: 6.7 lbs



This document is not intended to be used for installation purposes. We cannot cover all specific applications or anticipate all requirements. All specifications are subject to change without notice.

• = yes

| | |
|------------------------------------|---|
| • | ETL LISTED |
| | NOT ETL LISTED |
| Tested to UL Standard #1598 | |
| | AIR-COOLED |
| | ACCEPTS GLASS |
| | HINGED GLASS FRAME |
| | DETACHABLE LAMP CORD |
| • | 600 VOLT RATED CORD |
| | FABRICATED IN USA* |
| • | 5 YEAR WARRANTY |
| BALLAST COMPATIBILITY | |
| • | Galaxy® LEC® Brand 315 W Ballast 120-240 Volt (Part #906270) |
| • | Galaxy® LEC® Brand 315 W Ballast 277 Volt (Part #906272) |
| LAMP COMPATIBILITY | |
| • | CDM-T LEC® BRAND |
| Lamp Wattage: 315 | |
| LAMP POSITION | |
| | HORIZONTAL |
| • | VERTICAL |
| LAMP SOCKET TYPE | |
| | INTEGRATED - for use with |
| • | CDM-T 315 WATT LEC® brand lamps only |

* with US and globally sourced parts