

REMOTE CONTROL

# PRO | DUAL MINI-SPLIT

APPLIES TO THESE MODELS:

700021 • 700023 • 700024 • 700025 • 700026 • 700027 • 700028 • 700029 • 700807 • 700808



## REMOTE MANUAL

All the illustrations in the manual are for explanation purpose only. Your machine may be slightly different. The actual shape shall prevail.

# CONGRATULATIONS...

on your purchase of Ideal Air's Pro | Dual Mini-Split Air Conditioner/Heat Pump. We're proud to offer this product and believe it's the very best in its class.

## READ THIS MANUAL

Thank you for purchasing this air conditioner. This manual will provide you with information on how to operate, maintain, and troubleshoot your remote control.

## CONTENTS

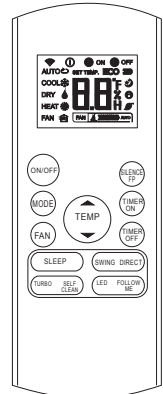
REMOTE CONTROL SPECIFICATIONS .....	2
OPERATION BUTTONS .....	3
INDICATORS ON LCD .....	6
HOW TO USE THE BUTTONS .....	7
<b>AUTO OPERATION</b> .....	7
<b>COOLING/HEATING/FAN OPERATION</b> .....	7
<b>DEHUMIDIFYING OPERATION</b> .....	8
<b>TIMER OPERATION</b> .....	8
HANDLING THE REMOTE CONTROL .....	11

### NOTE:

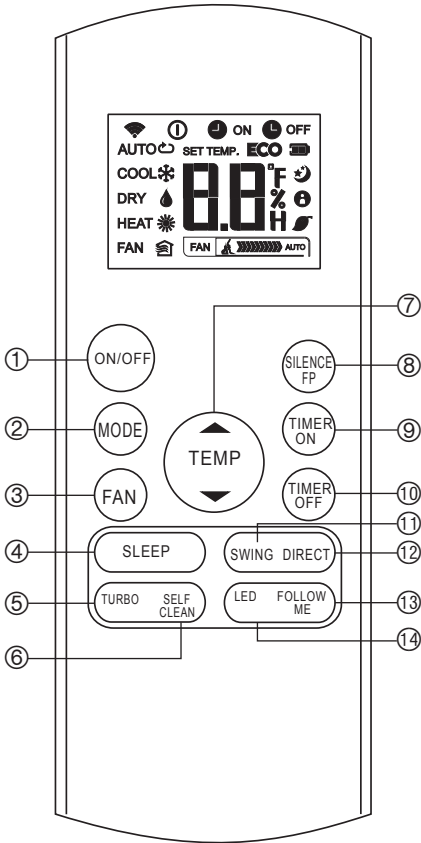
- All the functions described are accomplished by the unit.
- When there are wide differences between remote control illustration and USER'S MANUAL on function description, the description of USER'S MANUAL shall prevail.

## REMOTE CONTROL SPECIFICATIONS

Rated Voltage	3.0V (Dry batteries R03/LR03×2)
Signal Receiving Range	8m
Environment	23° F~140° F



# OPERATION BUTTONS



## ① ON/OFF BUTTON

This button turns the air conditioner ON and OFF.

## ② MODE BUTTON

Press this button to modify the air conditioner mode in a sequence of following:



## ③ FAN BUTTON

Used to select the fan speed in four steps:



### NOTE:

You can not switch the fan speed in AUTO or DRY mode.

## ④ SLEEP BUTTON

Active/Disable sleep function. It can maintain the most comfortable temperature and save energy. This function is available on COOL, HEAT or AUTO mode only.

### NOTE:

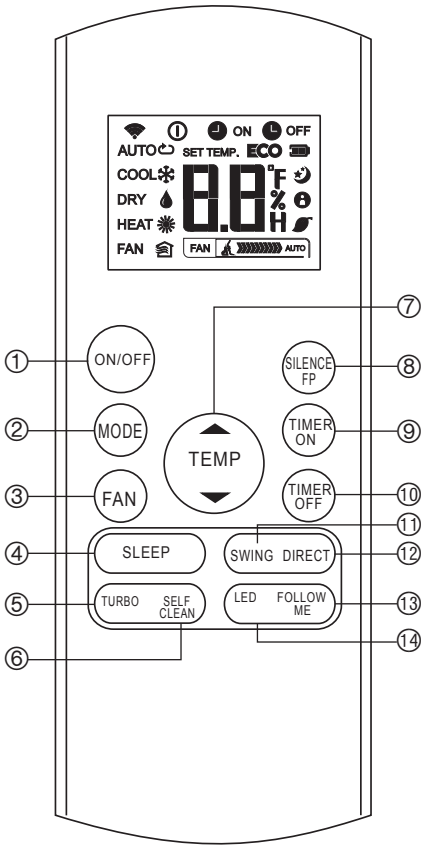
While the unit is running under SLEEP mode, it would be canceled if MODE, FAN SPEED or ON/OFF button is pressed.

## ⑤ TURBO BUTTON

Active/Disable Turbo function. Turbo function enables the unit to reach the preset temperature at cooling or heating operation in the shortest time (if the indoor unit does not support this function, there is no corresponding operation happened when pressing this button.)

## ⑥ SELF CLEAN BUTTON

Active/Disable Self Clean function. Under SELF CLEAN mode, the air conditioner will automatically clean and dry the evaporator and keep it fresh for the next operation.



### ⑦ UP BUTTON (▲)

Push this button to increase the indoor temperature setting by 1° F increments to 86° F.

### DOWN BUTTON (▼)

Push this button to decrease the indoor temperature setting by 1° F increments to 62° F.

#### NOTE:

Temperature control is not available in FAN mode.

#### NOTE:

Press and hold UP and DOWN buttons together for 3 seconds will alternate the temperature display between the °C and °F scale.

### ⑧ SILENCE/FP BUTTON

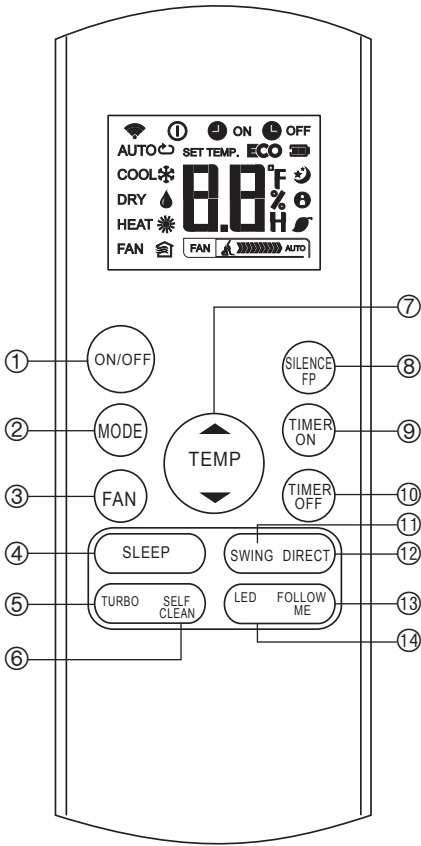
Active/Disable Silence function. If pushing more than 2 seconds, the Silence function will be activated, pushing more than 2 seconds again to disable.

When the Silence function is activated, the compressor will operate at low frequency and the indoor unit will bring faint breeze, which will reduce the noise to the lowest level and create a quiet and comfortable room for you. Due to low frequency operation of compressor, it may result in insufficient cooling and heating capacity.

The Silence function can only be activated during the heating operation (only when the setting mode is HEAT). The unit will operate at a setting temperature of 46° F. The display window of the indoor unit will display FP. Pressing the buttons ON/OFF, SLEEP, SILENCE/FP, MODE, FAN SPEED, UP or DOWN while operating will cancel the Silence function.

### ⑨ TIMER ON BUTTON

Press this button to initiate the auto-on time sequence. Each press will increase the auto-timed setting in 30 minutes increments. When the setting time displays 10.0, each press will increase the auto-timed setting 60 minutes increments. To cancel the auto-timed program, simply adjust the auto-on time to 0.0.



**10 TIMER OFF BUTTON**

Press this button to initiate the auto-off time sequence. Each press will increase the auto-timed setting in 30 minutes increments. When the setting time displays 10.0, each press will increase the auto-timed setting 60 minutes increments. To cancel the auto-timed program, simply adjust the auto-off time to 0.0.

**11 SWING BUTTON**

Used to stop or start horizontal louver auto swing feature.

**12 DIRECT BUTTON**

Used to change the louver movement and set the desired up/down air flow direction. The lovers can be changed 6 inches for each time the swing button is pressed.

**13 FOLLOW ME BUTTON**

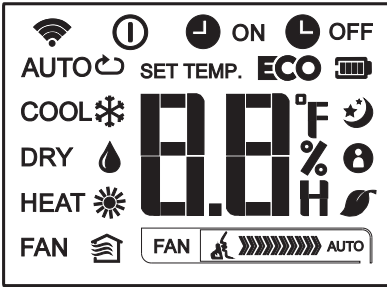
Push this button to initiate the Follow Me feature, the remote display is actual temperature at its location. The remote control will send this signal to the air conditioner every 3 minutes interval until press the Follow Me button again. The air conditioner will cancel the Follow Me feature automatically if it does not receive the signal during any 7 minutes interval.

**14 LED BUTTON**

Disable/Active indoor screen display. When pushing the button, the indoor screen display is cleared, press it again to light the display.

# INDICATORS ON LCD

Information is displayed when the remote control is powered up.



## MODE DISPLAY

AUTO COOL DRY   
HEAT FAN

- Displayed when data transmitted.
- Displayed when remote control is ON.
- Battery display (low battery detection).

**ECO** Not available for this unit.

ON Displayed when TIMER ON time is set.

OFF Displayed when TIMER OFF time is set.

Show set temperature or room temperature, or time under TIMER setting.

Displayed in SLEEP MODE operation.

Indicated that the air conditioner is operating in FOLLOW ME mode.

Not available for this unit.

Not available for this unit.

## FAN SPEED INDICATION

FAN Low speed

FAN Medium speed

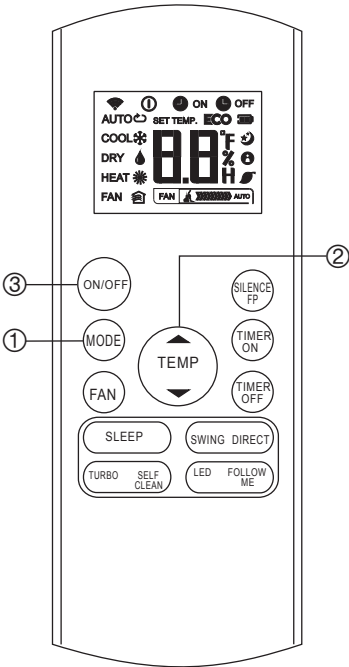
FAN High speed

FAN Auto fan speed

### NOTE:

All indicators shown in the figure are for the purpose of clear presentation. But during the actual operation only the relative functional signs are shown on the display window.

# HOW TO USE THE BUTTONS



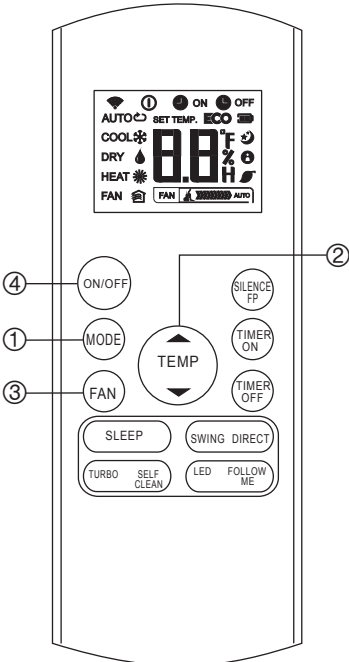
## AUTO OPERATION

Ensure the unit is plugged in and power is available. The OPERATION indicator on the display panel of the indoor unit starts flashing.

1. Press the MODE button to select AUTO.
2. Press the UP/DOWN button to set the desired temperature. The temperature can be set within a range of 62° F~86° F in 1° F increments.
3. Press the ON/OFF button to start the air conditioner.

### NOTE:

1. In the AUTO mode, the air conditioner can logically choose the mode of cooling, fan, and heating by sensing the difference between the actual ambient room temperature and the setting temperature on the remote control.
2. In the AUTO mode, you cannot switch the fan speed. It has already been automatically controlled.
3. If the AUTO mode is not comfortable for you, the desired mode can be selected manually.



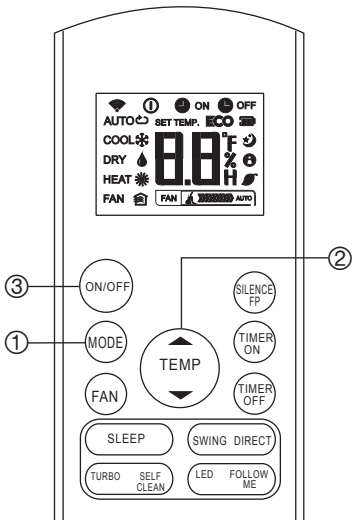
## COOLING/HEATING/FAN OPERATION

Ensure the unit is plugged in and power is available.

1. Press the MODE button to select COOL, HEAT (cooling and heating models only) or FAN mode.
2. Press the UP/DOWN buttons to set the desired temperature. The temperature can be set within a range of 62° F~86° F in 1° F increments.
3. Press the FAN button to select the fan speed in four steps - AUTO, LOW, MED, or HIGH.
4. Press the ON/OFF button to start the air conditioner.

### NOTE:

In the FAN mode, the temperature is not displayed on the remote controller and you are not able to control the room temperature either. In this case, only step 1, 3 and 4 may be performed.



## DEHUMIDIFYING OPERATION

Ensure the unit is plugged in and power is available. The OPERATION indicator on the display panel of the indoor unit starts flashing.

1. Press the MODE button to select DRY mode.
2. Press the UP/DOWN buttons to set the desired temperature. The temperature can be set within a range of 62° F~86° F in 1° F increments.
3. Press the ON/OFF button to start the air conditioner.

### NOTE:

In the Dehumidifying mode, you cannot switch the fan speed. It has already been automatically controlled.

## TIMER OPERATION

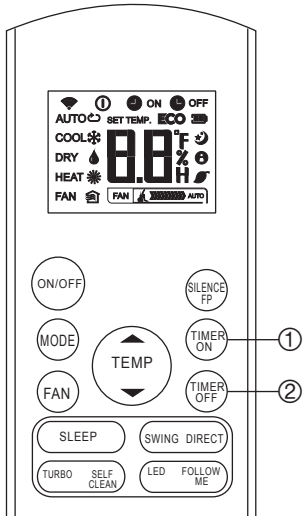
Press the TIMER ON button can set the auto-on time of the unit. Press the TIMER OFF button can set the auto-off time of the unit.

### TO SET THE AUTO-ON TIME.

1. Press the TIMER ON button. The remote control shows TIMER ON, the last auto-on setting time and the signal "H" will be shown on the LCD display area. Now it is ready to reset the auto-on time to START the operation.
2. Push the TIMER ON button again to set desired auto-on time. Each time you press the button, the time increases by half an hour between 0 and 10 hours and by one hour between 10 and 24 hours.
3. After setting the TIMER ON, there will be a one second delay before the remote control transmits the signal to the air conditioner. Then, after approximately another 2 seconds, the signal "H" will disappear and the set temperature will re-appear on the LCD display window of the remote.

### TO SET THE AUTO-OFF TIME.

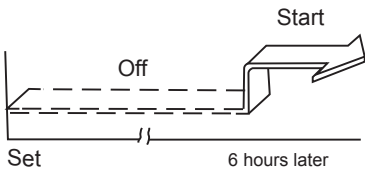
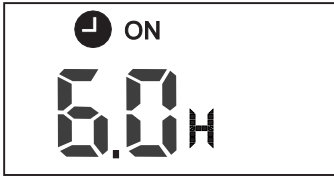
1. Press the TIMER OFF button. The remote control shows TIMER OFF, the last auto-off setting time and the signal "H" will be shown on the LCD display area. Now it is ready to reset the auto-off time to stop the operation.
2. Push the TIMER OFF button again to set desired Auto-off time. Each time you press the button, the time increases by half an hour between 0 and 10 hours and by one hour between 10 and 24 hours.
3. After setting the TIMER OFF, there will be a one second delay before the remote control transmits the signal to the air conditioner. Then, after approximately another 2 seconds, the signal "H" will disappear and the set temperature will re-appear on the LCD display window of the remote.



## ! CAUTION

- When you select the timer operation, the remote control automatically transmits the timer signal to the indoor unit for the specified time. Therefore, keep the remote control in a location where it can transmit the signal to the indoor unit properly.
- The effective operation time set by the remote control for the timer function is limited to the following settings: 0.5, 1.0, 1.5, 2.0, 2.5, 3.0, 3.5, 4.0, 4.5, 5.0, 5.5, 6.0, 6.5, 7.0, 7.5, 8.0, 8.5, 9.0, 9.5, 10, 11, 12, 13, 14, 15, 16, 17, 18, 19, 20, 21, 22, 23 and 24.

### EXAMPLE OF TIMER SETTING



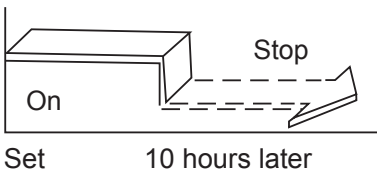
### TIMER ON (AUTO-ON OPERATION)

The TIMER ON feature is useful when you want the unit to turn on automatically before you return home. The air conditioner will automatically start operating at the set time.

#### EXAMPLE

To start the air conditioner in 6 hours.

1. Press the TIMER ON button, the last setting of starting operation time and the signal "H" will show on the display area.
2. Press the TIMER ON button to display "6.0H" on the TIMER ON display of the remote controller.
3. Wait for 3 seconds and the digital display area will show the temperature again. The "TIMER ON" indicator remains on and this function is activated.



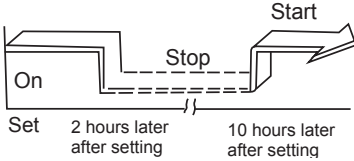
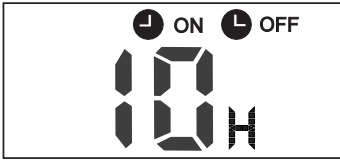
### TIMER OFF (AUTO-OFF OPERATION)

The TIMER OFF feature is useful when you want the unit to turn off automatically after you go to bed. The air conditioner will stop automatically at the set time.

#### EXAMPLE

To stop the air conditioner in 10 hours.

1. Press the TIMER OFF button, the last setting of stopping operation time and the signal "H" will show on the display area.
2. Press the TIMER OFF button to display "10H" on the TIMER OFF display of the remote control.
3. Wait for 3 seconds and the digital display area will show the temperature again. The "TIMER OFF" indicator remains on and this function is activated.



**COMBINED TIMER  
(SETTING BOTH ON AND OFF TIMERS  
SIMULTANEOUSLY)**

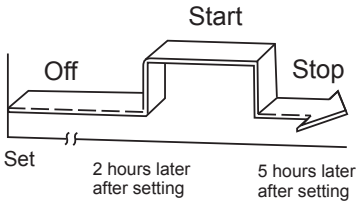
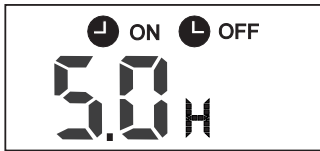
TIMER OFF → TIMER ON  
(On → Stop → Start operation)

This feature is useful when you want to stop the air conditioner after you go to bed, and start it again in the morning when you wake up or when you return home.

**EXAMPLE**

To stop the air conditioner 2 hours after setting and start it again 10 hours after setting.

1. Press the TIMER OFF button.
2. Press the TIMER OFF button again to display "2.0H" on the TIMER OFF display.
3. Press the TIMER ON button.
4. Press the TIMER ON button again to display "10H" on the TIMER ON display .
5. Wait for 3 seconds and the digital display area will show the temperature again. The "TIMER ON and TIMER OFF" indicator remains on and this function is activated.



TIMER ON → TIMER OFF  
(Off → Start → Stop operation)

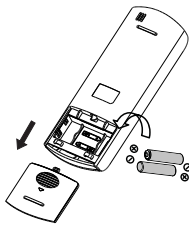
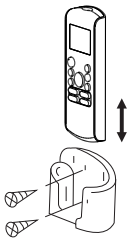
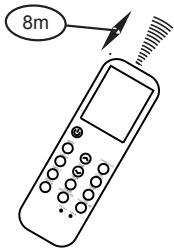
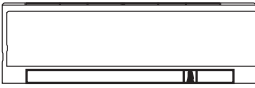
This feature is useful when you want to start the air conditioner before you wake up and stop it after you leave the house.

**EXAMPLE**

To start the air conditioner 2 hours after setting, and stop it 5 hours after setting.

1. Press the TIMER ON button.
2. Press the TIMER ON button again to display "2.0H" on the TIMER ON display.
3. Press the TIMER OFF button.
4. Press the TIMER OFF button again to display "5.0H" on the TIMER OFF display.
5. Wait for 3 seconds and the digital display area will show the temperature again. The "TIMER ON and TIMER OFF" indicator remains on and this function is activated.

# HANDLING THE REMOTE CONTROL



## LOCATION OF THE REMOTE CONTROL

Use the remote control within a distance of 8 meters/26 feet from the appliance, pointing it towards the receiver. Reception is confirmed by a beep.

### ! CAUTION

- The air conditioner will not operate if curtains, doors or other materials block the signals from the remote control to the indoor unit.
- Prevent any liquid from falling into the remote control. Do not expose the remote control to direct sunlight or heat.
- If the infrared signal receiver on the indoor unit is exposed to direct sunlight, the air conditioner may not function properly. Use curtains to prevent the sunlight from falling on the receiver.
- If other electrical appliances react to the remote control, either move these appliances or consult your local dealer.
- Do not drop the remote control. Handle with care.
- Do not place heavy objects on the remote control, or step on it.

## USING THE REMOTE CONTROL HOLDER (OPTIONAL)

- The remote control can be attached to a wall or pillar by using a remote control holder (not supplied, purchased separately).
- Before installing the remote control, check that the air conditioner receives the signals properly.
- Install the remote control with two screws.
- For installing or removing the remote control, move it up or down in the holder.

## REPLACING BATTERIES

The following cases signify exhausted batteries. Replace old batteries with new ones.

- Receiving beep is not emitted when a signal is transmitted.
- Indicator fades away.

The remote control is powered by two dry batteries (R03/LR03X2) housed in the back rear part and protected by a cover.

1. Remove the cover in the rear part of the remote control.
2. Remove the old batteries and insert the new batteries, placing the (+) and (-) ends correctly.
3. Install the cover back on.

### NOTE:

When the batteries are removed, the remote control erases all programming. After inserting new batteries, the remote control must be reprogrammed.

### ! CAUTION

- Do not mix old and new batteries or batteries of different types.
- Do not leave the batteries in the remote control if they are not going to be used for 2 or 3 months.
- Do not dispose batteries as unsorted municipal waste. Collection of such waste separately for special treatment is necessary.

# IMPORTANT

*Product not working properly?*

**DO NOT return this product  
to the store where you  
purchased it.**

Contact Ideal-Air™ support directly  
at [support@ideal-air.com](mailto:support@ideal-air.com) or call

**1-877-943-3251**

For answers to most common questions and a complete  
technical support library please visit [www.ideal-air.com](http://www.ideal-air.com)



**GROWING CLIMATE SOLUTIONS®**

[ideal-air.com](http://ideal-air.com)

All design and specifications herein are subject to change without  
notice for product improvement. Contact Ideal-Air™ for details,  
updates and other information.